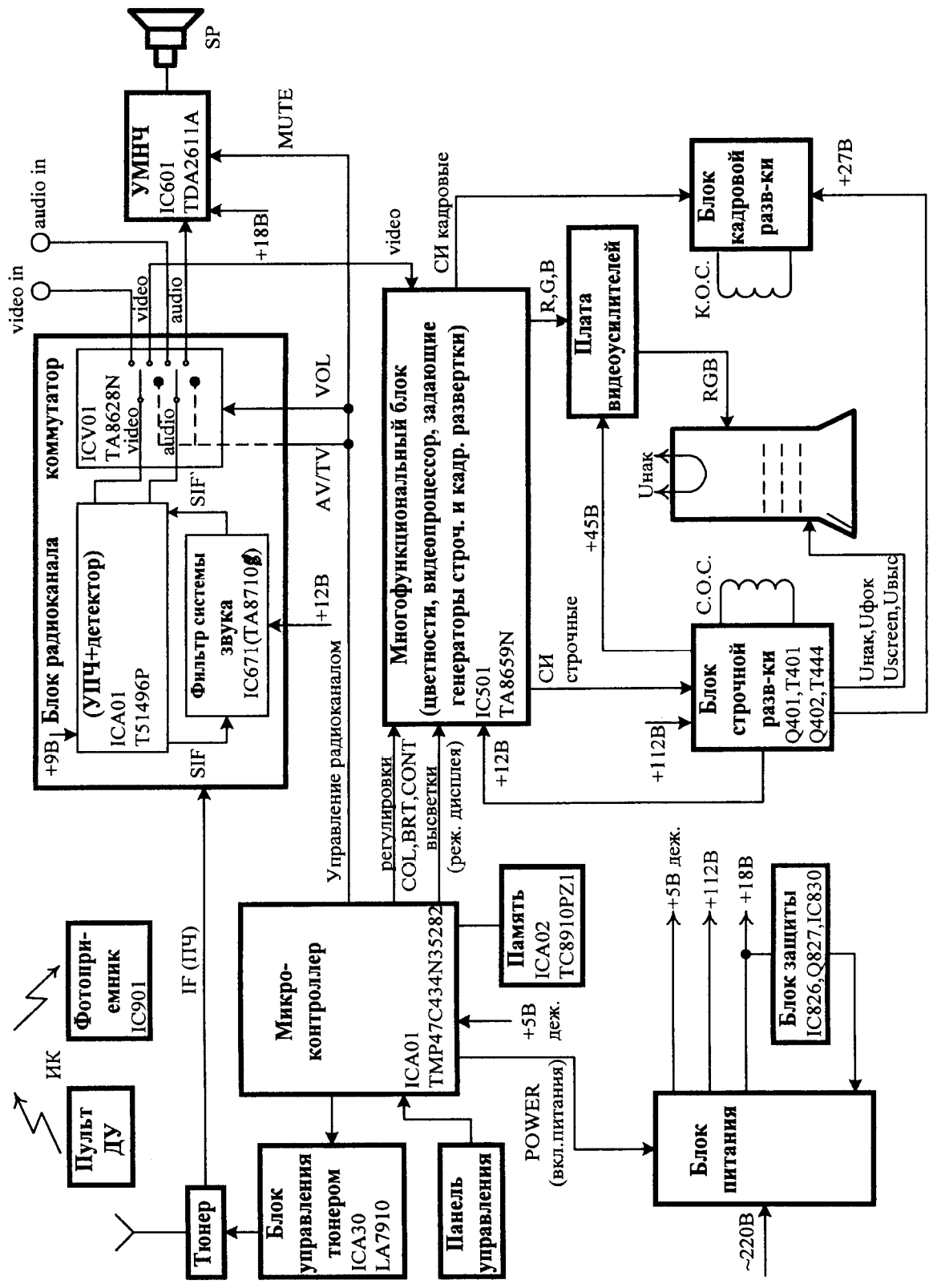
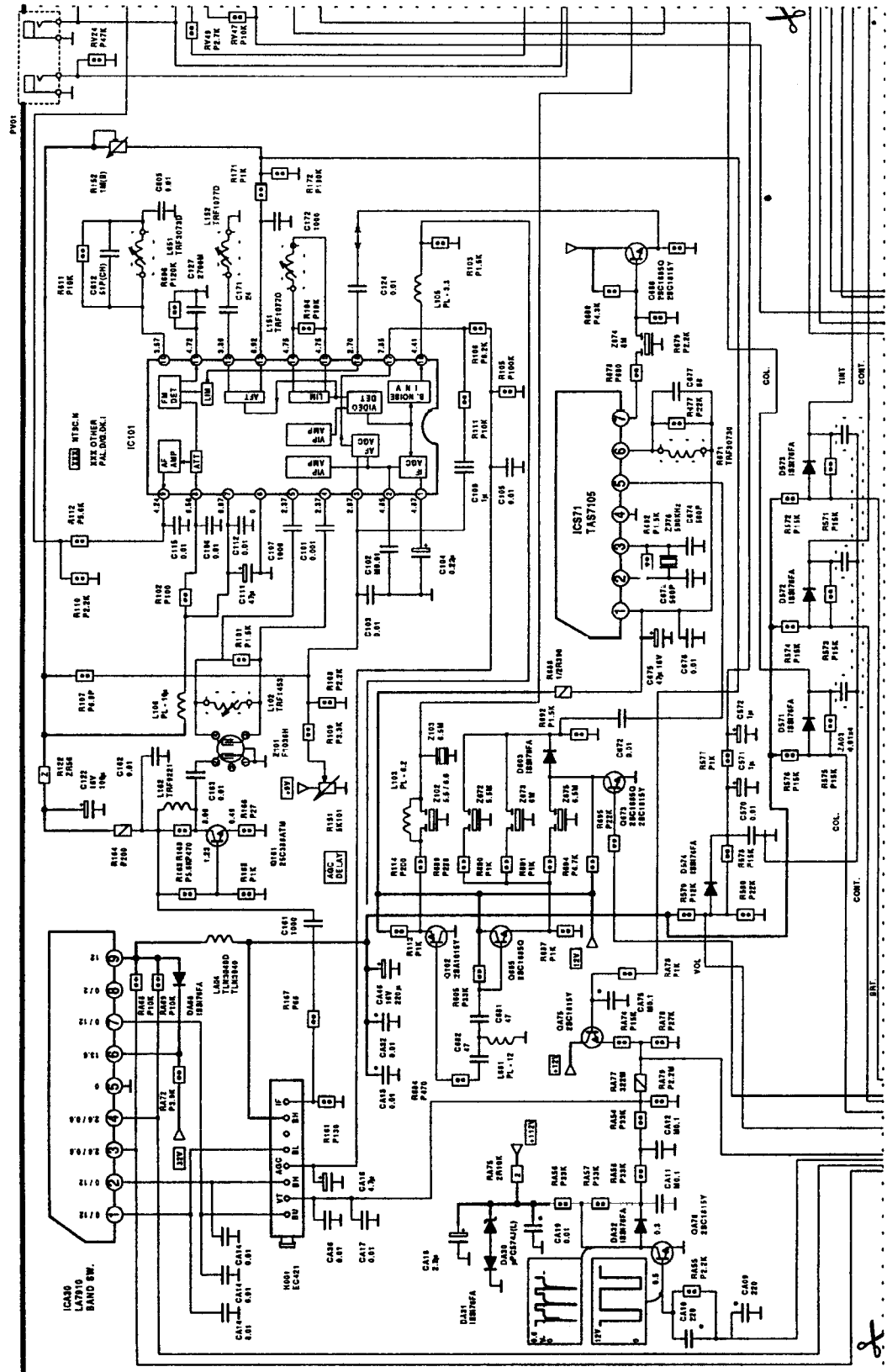


Структурная схема.



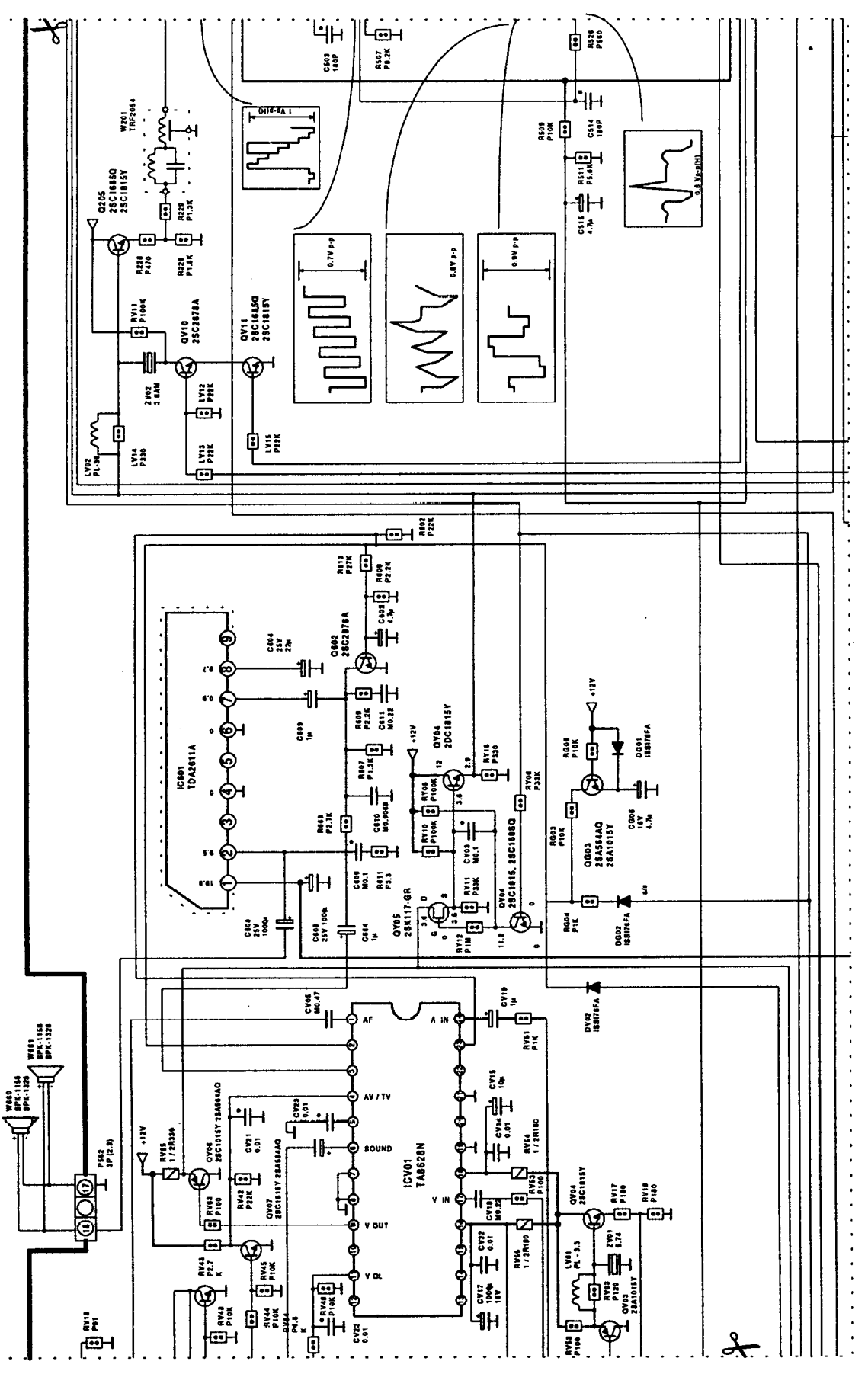
(WHITE)
AUDIO IN

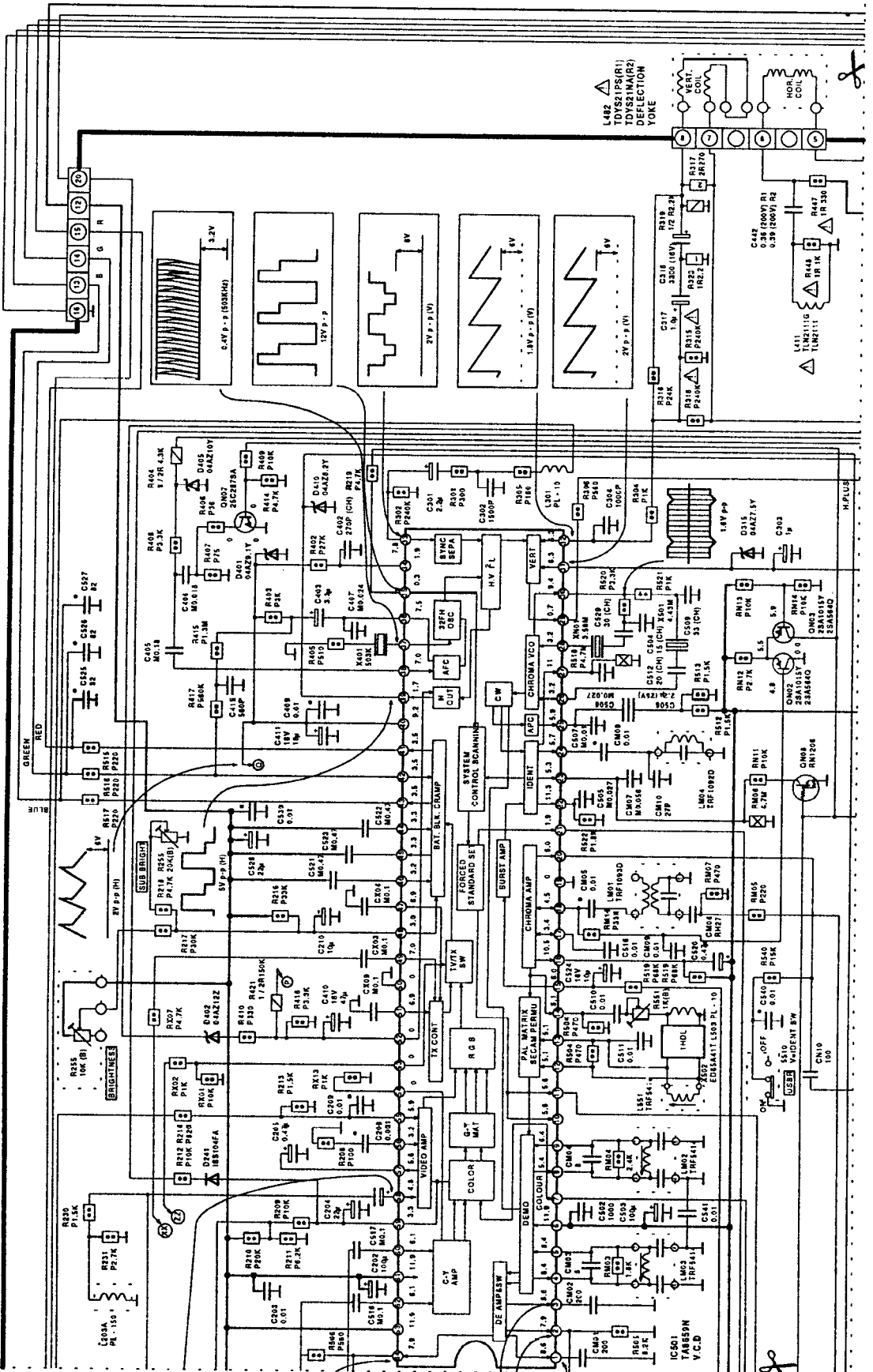
(YELLOW)
VIDEO IN



CONT.

ENT.





L482 TVDS1PS(RI)
TVDS2NA(R)
DEFLECTION
Yoke

R442 10K 330
R444 10K 330
R448 10K 330

R318 330K P1.5K
R317 1.0K
R316 1.0K
R315 1.0K
R314 1.0K
R313 1.0K

R304 1000P
R303 1.0K
R302 1.0K
R301 2.2K

R204 1000P
R203 1.0K
R202 1.0K
R201 2.2K

R104 1.7K 1.5K
R103 1.0K
R102 1.0K
R101 2.2K

R04 1.7K 1.5K
R03 1.0K
R02 1.0K
R01 2.2K

D403 0A4Z1Y
D402 0A4Z1Y
D401 0A4Z1Y

D303 0A4Z1Y
D302 0A4Z1Y
D301 0A4Z1Y

D203 0A4Z1Y
D202 0A4Z1Y
D201 0A4Z1Y

R257 3.3K 32
R256 3.3K 32
R255 3.3K 32
R254 3.3K 32
R253 3.3K 32
R252 3.3K 32
R251 3.3K 32
R250 3.3K 32

R157 220 P2.0
R156 220 P2.0
R155 220 P2.0
R154 220 P2.0
R153 220 P2.0
R152 220 P2.0
R151 220 P2.0
R150 220 P2.0

R05 17K 1.5K
R04 17K 1.5K
R03 17K 1.5K
R02 17K 1.5K
R01 17K 1.5K

D05 0A4Z1Y
D04 0A4Z1Y
D03 0A4Z1Y
D02 0A4Z1Y
D01 0A4Z1Y

C403 0A4Z1Y
C402 0A4Z1Y
C401 0A4Z1Y

C303 1000P
C302 1000P
C301 1000P

C203 1000P
C202 1000P
C201 1000P

C103 1000P
C102 1000P
C101 1000P

R504 1.7K 1.5K
R503 1.7K 1.5K
R502 1.7K 1.5K
R501 1.7K 1.5K

D503 0A4Z1Y
D502 0A4Z1Y
D501 0A4Z1Y

C503 1000P
C502 1000P
C501 1000P

R403 1.7K 1.5K
R402 1.7K 1.5K
R401 1.7K 1.5K

D403 0A4Z1Y
D402 0A4Z1Y
D401 0A4Z1Y

C403 1000P
C402 1000P
C401 1000P

R303 1.7K 1.5K
R302 1.7K 1.5K
R301 1.7K 1.5K

D303 0A4Z1Y
D302 0A4Z1Y
D301 0A4Z1Y

C303 1000P
C302 1000P
C301 1000P

R203 1.7K 1.5K
R202 1.7K 1.5K
R201 1.7K 1.5K

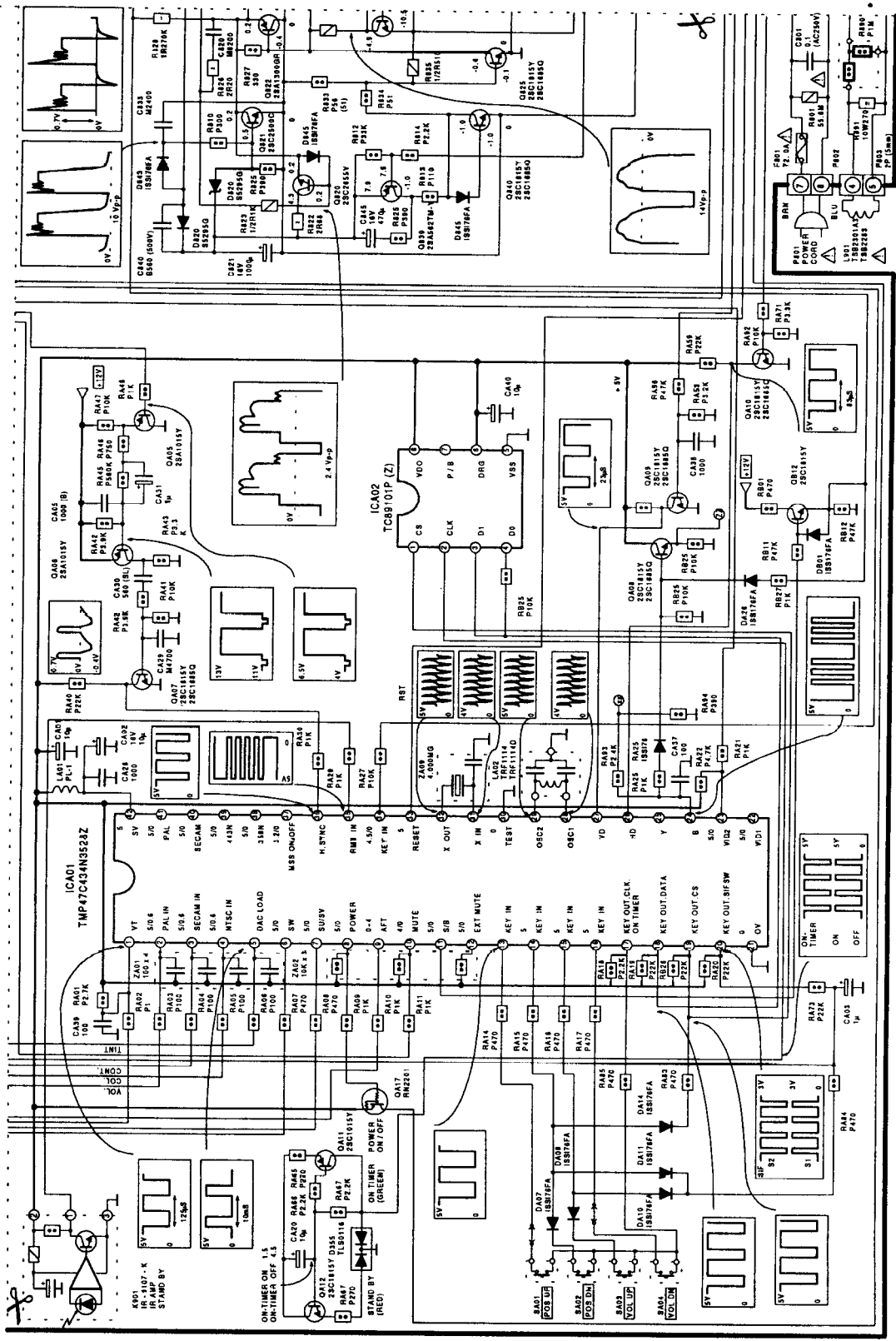
D203 0A4Z1Y
D202 0A4Z1Y
D201 0A4Z1Y

C203 1000P
C202 1000P
C201 1000P

R103 1.7K 1.5K
R102 1.7K 1.5K
R101 1.7K 1.5K

D103 0A4Z1Y
D102 0A4Z1Y
D101 0A4Z1Y

C103 1000P
C102 1000P
C101 1000P



6R1
IR-3107-X
IR AMP
STAND BY

ON-TIMER ON 1.5
ON-TIMER OFF 1.5

ON-TIMER
POWER
ON/OFF
(GREEN)

STAND BY
(RED)

5V

5V

5V

5V

5V

5V

5V

5V

5V

5V

5V

5V

5V

5V

5V

5V

5V

5V

5V

5V

5V

5V

5V

5V

5V

5V

5V

5V

5V

5V

5V

5V

5V

5V

5V

5V

5V

5V

5V

5V

5V

5V

5V

5V

5V

5V

5V

5V

5V

5V

5V

5V

5V

5V

5V

5V

5V

5V

5V

5V

5V

5V

5V

5V

5V

5V

