

# LMH6624/LMH6626

## Single/Dual Ultra Low Noise Wideband Operational Amplifier

### General Description

The LMH6624/LMH6626 offer wide bandwidth (1.5GHz for single, 1.3GHz for dual) with very low input noise (0.92nV/√Hz, 2.3pA/√Hz) and ultra low dc errors (100μV V<sub>OS</sub>, ±0.1μV/°C drift) providing very precise operational amplifiers with wide dynamic range. This enables the user to achieve closed-loop gains of greater than 10, in both inverting and non-inverting configurations.

The LMH6624 (single) and LMH6626's (dual) traditional voltage feedback topology provide the following benefits: balanced inputs, low offset voltage and offset current, very low offset drift, 81dB open loop gain, 95dB common mode rejection ratio, and 88dB power supply rejection ratio.

The LMH6624/LMH6626 operate from ± 2.5V to ± 6V in dual supply mode and from +5V to +12V in single supply configuration.

LMH6624 is offered in SOT23-5 and SOIC-8 packages.

The LMH6626 is offered in SOIC-8 and MSOP-8 packages.

### Features

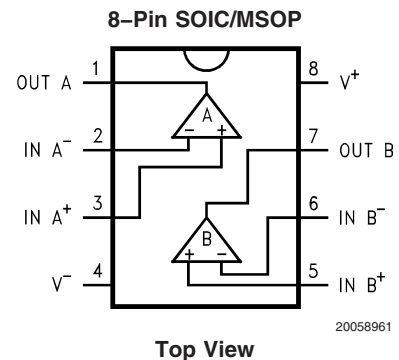
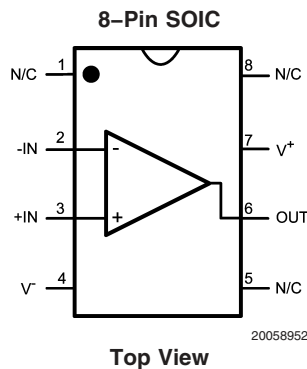
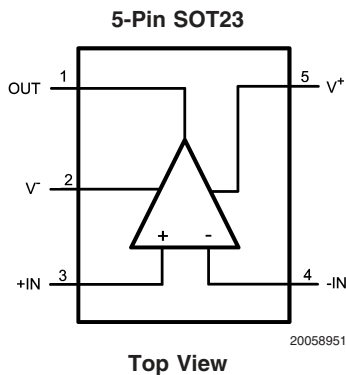
V<sub>S</sub> = ±6V, T<sub>A</sub> = 25°C, A<sub>V</sub> = 20, (Typical values unless specified)

- Gain bandwidth (LMH6624) 1.5GHz
- Input voltage noise 0.92nV/√Hz
- Input offset voltage (limit over temp) 700μV
- Slew rate 350V/μs
- Slew rate (A<sub>V</sub> = 10) 400V/μs
- HD2 @ f = 10MHz, R<sub>L</sub> = 100Ω -63dBc
- HD3 @ f = 10MHz, R<sub>L</sub> = 100Ω -80dBc
- Supply voltage range (dual supply) ±2.5V to ±6V
- Supply voltage range (single supply) +5V to +12V
- Improved replacement for the CLC425 (LMH6624)
- Stable for closed loop |A<sub>V</sub>| ≥ 10

### Applications

- Instrumentation sense amplifiers
- Ultrasound pre-amps
- Magnetic tape & disk pre-amps
- Wide band active filters
- Professional Audio Systems
- Opto-electronics
- Medical diagnostic systems

### Connection Diagrams



**Absolute Maximum Ratings** (Note 1)

If Military/Aerospace specified devices are required, please contact the National Semiconductor Sales Office/Distributors for availability and specifications.

ESD Tolerance	
Human Body Model	2000V (Note 2)
Machine Model	200V (Note 9)
V <sub>IN</sub> Differential	±1.2V
Supply Voltage (V <sup>+</sup> - V <sup>-</sup> )	13.2V
Voltage at Input pins	V <sup>+</sup> +0.5V, V <sup>-</sup> -0.5V
Soldering Information	
Infrared or Convection (20 sec.)	235°C

Wave Soldering (10 sec.)	260°C
Storage Temperature Range	-65°C to +150°C
Junction Temperature (Note 3), (Note 4)	+150°C

**Operating Ratings** (Note 1)

Operating Temperature Range (Note 3), (Note 4)	-40°C to +125°C
Package Thermal Resistance (θ <sub>JA</sub> )(Note 4)	
SOIC-8	166°C/W
SOT23-5	265°C/W
MSOP-8	235°C/W

**±2.5V Electrical Characteristics**

Unless otherwise specified, all limits guaranteed at T<sub>A</sub> = 25°C, V<sup>+</sup> = 2.5V, V<sup>-</sup> = -2.5V, V<sub>CM</sub> = 0V, A<sub>V</sub> = +20, R<sub>F</sub> = 500Ω, R<sub>L</sub> = 100Ω. **Boldface** limits apply at the temperature extremes. See (Note 12).

Symbol	Parameter	Conditions	Min (Note 6)	Typ (Note 5)	Max (Note 6)	Units
<b>Dynamic Performance</b>						
f <sub>CL</sub>	-3dB BW	V <sub>O</sub> = 400mV <sub>PP</sub> (LMH6624)		90		MHz
		V <sub>O</sub> = 400mV <sub>PP</sub> (LMH6626)		80		
SR	Slew Rate(Note 8)	V <sub>O</sub> = 2V <sub>PP</sub> , A <sub>V</sub> = +20 (LMH6624)		300		V/μs
		V <sub>O</sub> = 2V <sub>PP</sub> , A <sub>V</sub> = +20 (LMH6626)		290		
		V <sub>O</sub> = 2V <sub>PP</sub> , A <sub>V</sub> = +10 (LMH6624)		360		
		V <sub>O</sub> = 2V <sub>PP</sub> , A <sub>V</sub> = +10 (LMH6626)		340		
t <sub>r</sub>	Rise Time	V <sub>O</sub> = 400mV Step, 10% to 90%		4.1		ns
t <sub>f</sub>	Fall Time	V <sub>O</sub> = 400mV Step, 10% to 90%		4.1		ns
t <sub>s</sub>	Settling Time 0.1%	V <sub>O</sub> = 2V <sub>PP</sub> (Step)		20		ns
<b>Distortion and Noise Response</b>						
e <sub>n</sub>	Input Referred Voltage Noise	f = 1MHz (LMH6624)		0.92		nV/√Hz
		f = 1MHz (LMH6626)		1.0		
i <sub>n</sub>	Input Referred Current Noise	f = 1MHz (LMH6624)		2.3		pA/√Hz
		f = 1MHz (LMH6626)		1.8		
HD2	2 <sup>nd</sup> Harmonic Distortion	f <sub>C</sub> = 10MHz, V <sub>O</sub> = 1V <sub>PP</sub> , R <sub>L</sub> 100Ω		-60		dBc
HD3	3 <sup>rd</sup> Harmonic Distortion	f <sub>C</sub> = 10MHz, V <sub>O</sub> = 1V <sub>PP</sub> , R <sub>L</sub> 100Ω		-76		dBc
<b>Input Characteristics</b>						
V <sub>OS</sub>	Input Offset Voltage	V <sub>CM</sub> = 0V	-0.75 <b>-0.95</b>	-0.25	+0.75 <b>+0.95</b>	mV
	Average Drift (Note 7)	V <sub>CM</sub> = 0V		±0.25		μV/°C
I <sub>OS</sub>	Input Offset Current	V <sub>CM</sub> = 0V	-1.5 <b>-2.0</b>	-0.05	+1.5 <b>+2.0</b>	μA
	Average Drift (Note 7)	V <sub>CM</sub> = 0V		2		nA/°C
I <sub>B</sub>	Input Bias Current	V <sub>CM</sub> = 0V		13	+20 <b>+25</b>	μA
	Average Drift (Note 7)	V <sub>CM</sub> = 0V		12		nA/°C
R <sub>IN</sub>	Input Resistance (Note 10)	Common Mode		6.6		MΩ
		Differential Mode		4.6		kΩ
C <sub>IN</sub>	Input Capacitance (Note 10)	Common Mode		0.9		pF
		Differential Mode		2.0		
CMRR	Common Mode Rejection Ratio	Input Referred, V <sub>CM</sub> = -0.5 to +1.9V <b>V<sub>CM</sub> = -0.5 to +1.75V</b>	87 <b>85</b>	90		dB

**±2.5V Electrical Characteristics** (Continued)

Unless otherwise specified, all limits guaranteed at  $T_A = 25^\circ\text{C}$ ,  $V^+ = 2.5\text{V}$ ,  $V^- = -2.5\text{V}$ ,  $V_{\text{CM}} = 0\text{V}$ ,  $A_V = +20$ ,  $R_F = 500\Omega$ ,  $R_L = 100\Omega$ . **Boldface** limits apply at the temperature extremes. See (Note 12).

Symbol	Parameter	Conditions	Min (Note 6)	Typ (Note 5)	Max (Note 6)	Units
<b>Transfer Characteristics</b>						
$A_{\text{VOL}}$	Large Signal Voltage Gain	(LMH6624) $R_L = 100\Omega$ , $V_O = -1\text{V to } +1\text{V}$	75 <b>70</b>	79		dB
		(LMH6626) $R_L = 100\Omega$ , $V_O = -1\text{V to } +1\text{V}$	72 <b>67</b>	79		
$X_t$	Crosstalk Rejection	$f = 1\text{MHz}$ (LMH6626)		-75		dB
<b>Output Characteristics</b>						
$V_O$	Output Swing	$R_L = 100\Omega$	$\pm 1.1$ <b><math>\pm 1.0</math></b>	$\pm 1.5$		V
		No Load	$\pm 1.4$ <b><math>\pm 1.25</math></b>	$\pm 1.7$		
$R_O$	Output Impedance	$f \leq 100\text{kHz}$		10		$\text{m}\Omega$
$I_{\text{SC}}$	Output Short Circuit Current	(LMH6624) Sourcing to Ground $\Delta V_{\text{IN}} = 200\text{mV}$ (Note 3), (Note 11)	90 <b>75</b>	145		mA
		(LMH6624) Sinking to Ground $\Delta V_{\text{IN}} = -200\text{mV}$ (Note 3), (Note 11)	90 <b>75</b>	145		
		(LMH6626) Sourcing to Ground $\Delta V_{\text{IN}} = 200\text{mV}$ (Note 3), (Note 11)	60 <b>50</b>	120		
		(LMH6626) Sinking to Ground $\Delta V_{\text{IN}} = -200\text{mV}$ (Note 3), (Note 11)	60 <b>50</b>	120		
$I_{\text{OUT}}$	Output Current	(LMH6624) Sourcing, $V_O = +0.8\text{V}$ Sinking, $V_O = -0.8\text{V}$		100		mA
		(LMH6626) Sourcing, $V_O = +0.8\text{V}$ Sinking, $V_O = -0.8\text{V}$		75		
<b>Power Supply</b>						
PSRR	Power Supply Rejection Ratio	$V_S = \pm 2.0\text{V to } \pm 3.0\text{V}$	82 <b>80</b>	90		dB
$I_S$	Supply Current (per channel)	No Load		11.4	16 <b>18</b>	mA

**±6V Electrical Characteristics**

Unless otherwise specified, all limits guaranteed at  $T_A = 25^\circ\text{C}$ ,  $V^+ = 6\text{V}$ ,  $V^- = -6\text{V}$ ,  $V_{\text{CM}} = 0\text{V}$ ,  $A_V = +20$ ,  $R_F = 500\Omega$ ,  $R_L = 100\Omega$ . **Boldface** limits apply at the temperature extremes. See (Note 12).

Symbol	Parameter	Conditions	Min (Note 6)	Typ (Note 5)	Max (Note 6)	Units
<b>Dynamic Performance</b>						
$f_{\text{CL}}$	-3dB BW	$V_O = 400\text{mV}_{\text{PP}}$ (LMH6624)		95		MHz
		$V_O = 400\text{mV}_{\text{PP}}$ (LMH6626)		85		
SR	Slew Rate (Note 8)	$V_O = 2V_{\text{PP}}$ , $A_V = +20$ (LMH6624)		350		V/ $\mu\text{s}$
		$V_O = 2V_{\text{PP}}$ , $A_V = +20$ (LMH6626)		320		
		$V_O = 2V_{\text{PP}}$ , $A_V = +10$ (LMH6624)		400		
		$V_O = 2V_{\text{PP}}$ , $A_V = +10$ (LMH6626)		360		
$t_r$	Rise Time	$V_O = 400\text{mV Step}$ , 10% to 90%		3.7		ns

**±6V Electrical Characteristics** (Continued)

Unless otherwise specified, all limits guaranteed at  $T_A = 25^\circ\text{C}$ ,  $V^+ = 6\text{V}$ ,  $V^- = -6\text{V}$ ,  $V_{CM} = 0\text{V}$ ,  $A_V = +20$ ,  $R_F = 500\Omega$ ,  $R_L = 100\Omega$ . **Boldface** limits apply at the temperature extremes. See (Note 12).

Symbol	Parameter	Conditions	Min (Note 6)	Typ (Note 5)	Max (Note 6)	Units
$t_f$	Fall Time	$V_O = 400\text{mV Step}$ , 10% to 90%		3.7		ns
$t_s$	Settling Time 0.1%	$V_O = 2V_{PP}$ (Step)		18		ns
<b>Distortion and Noise Response</b>						
$e_n$	Input Referred Voltage Noise	$f = 1\text{MHz}$ (LMH6624)		0.92		$\text{nV}/\sqrt{\text{Hz}}$
		$f = 1\text{MHz}$ (LMH6626)		1.0		
$i_n$	Input Referred Current Noise	$f = 1\text{MHz}$ (LMH6624)		2.3		$\text{pA}/\sqrt{\text{Hz}}$
		$f = 1\text{MHz}$ (LMH6626)		1.8		
HD2	2 <sup>nd</sup> Harmonic Distortion	$f_C = 10\text{MHz}$ , $V_O = 1V_{PP}$ , $R_L = 100\Omega$		-63		dBc
HD3	3 <sup>rd</sup> Harmonic Distortion	$f_C = 10\text{MHz}$ , $V_O = 1V_{PP}$ , $R_L = 100\Omega$		-80		dBc
<b>Input Characteristics</b>						
$V_{OS}$	Input Offset Voltage	$V_{CM} = 0\text{V}$	-0.5 <b>-0.7</b>	$\pm 0.10$	+0.5 <b>+0.7</b>	mV
	Average Drift (Note 7)	$V_{CM} = 0\text{V}$		$\pm 0.2$		$\mu\text{V}/^\circ\text{C}$
$I_{OS}$	Input Offset Current Average Drift (Note 7)	(LMH6624) $V_{CM} = 0\text{V}$	-1.1 <b>-2.5</b>	0.05	1.1 <b>2.5</b>	$\mu\text{A}$
		(LMH6626) $V_{CM} = 0\text{V}$	-2.0 <b>-2.5</b>	0.1	2.0 <b>2.5</b>	
		$V_{CM} = 0\text{V}$			0.7	
$I_B$	Input Bias Current	$V_{CM} = 0\text{V}$		13	+20 <b>+25</b>	$\mu\text{A}$
	Average Drift (Note 7)	$V_{CM} = 0\text{V}$		12		$\text{nA}/^\circ\text{C}$
$R_{IN}$	Input Resistance (Note 10)	Common Mode		6.6		$\text{M}\Omega$
		Differential Mode		4.6		$\text{k}\Omega$
$C_{IN}$	Input Capacitance (Note 10)	Common Mode		0.9		$\text{pF}$
		Differential Mode		2.0		
CMRR	Common Mode Rejection Ratio	Input Referred, $V_{CM} = -4.5$ to $+5.25\text{V}$ <b><math>V_{CM} = -4.5</math> to <math>+5.0\text{V}</math></b>	90 <b>87</b>	95		dB
<b>Transfer Characteristics</b>						
$A_{VOL}$	Large Signal Voltage Gain	(LMH6624) $R_L = 100\Omega$ , $V_O = -3\text{V}$ to $+3\text{V}$	77 <b>72</b>	81		dB
		(LMH6626) $R_L = 100\Omega$ , $V_O = -3\text{V}$ to $+3\text{V}$	74 <b>70</b>	80		
$X_t$	Crosstalk Rejection	$f = 1\text{MHz}$ (LMH6626)		-75		dB
<b>Output Characteristics</b>						
$V_O$	Output Swing	(LMH6624) $R_L = 100\Omega$	$\pm 4.4$ <b><math>\pm 4.3</math></b>	$\pm 4.9$		V
		(LMH6624) No Load	$\pm 4.8$ <b><math>\pm 4.65</math></b>	$\pm 5.2$		
		(LMH6626) $R_L = 100\Omega$	$\pm 4.3$ <b><math>\pm 4.2</math></b>	$\pm 4.8$		
		(LMH6626) No Load	$\pm 4.8$ <b><math>\pm 4.65</math></b>	$\pm 5.2$		
$R_O$	Output Impedance	$f \leq 100\text{kHz}$		10		$\text{m}\Omega$

**±6V Electrical Characteristics** (Continued)

Unless otherwise specified, all limits guaranteed at  $T_A = 25^\circ\text{C}$ ,  $V^+ = 6\text{V}$ ,  $V^- = -6\text{V}$ ,  $V_{CM} = 0\text{V}$ ,  $A_V = +20$ ,  $R_F = 500\Omega$ ,  $R_L = 100\Omega$ . **Boldface** limits apply at the temperature extremes. See (Note 12).

Symbol	Parameter	Conditions	Min (Note 6)	Typ (Note 5)	Max (Note 6)	Units
$I_{SC}$	Output Short Circuit Current	(LMH6624) Sourcing to Ground $\Delta V_{IN} = 200\text{mV}$ (Note 3), (Note 11)	100 <b>85</b>	156		mA
		(LMH6624) Sinking to Ground $\Delta V_{IN} = -200\text{mV}$ (Note 3), (Note 11)	100 <b>85</b>	156		
		(LMH6626) Sourcing to Ground $\Delta V_{IN} = 200\text{mV}$ (Note 3), (Note 11)	65 <b>55</b>	120		
		(LMH6626) Sinking to Ground $\Delta V_{IN} = -200\text{mV}$ (Note 3), (Note 11)	65 <b>55</b>	120		
$I_{OUT}$	Output Current	(LMH6624) Sourcing, $V_O = +4.3\text{V}$ Sinking, $V_O = -4.3\text{V}$		100		mA
		(LMH6626) Sourcing, $V_O = +4.3\text{V}$ Sinking, $V_O = -4.3\text{V}$		80		
<b>Power Supply</b>						
PSRR	Power Supply Rejection Ratio	$V_S = \pm 5.4\text{V}$ to $\pm 6.6\text{V}$	82 <b>80</b>	88		dB
$I_S$	Supply Current (per channel)	No Load		12	16 <b>18</b>	mA

**Note 1:** Absolute maximum ratings indicate limits beyond which damage to the device may occur. Operating Ratings indicate conditions for which the device is intended to be functional, but specific performance is not guaranteed. For guaranteed specifications and the test conditions, see the Electrical Characteristics.

**Note 2:** Human body model,  $1.5\text{k}\Omega$  in series with  $100\text{pF}$ .

**Note 3:** Applies to both single-supply and split-supply operation. Continuous short circuit operation at elevated ambient temperature can result in exceeding the maximum allowed junction temperature of  $150^\circ\text{C}$ .

**Note 4:** The maximum power dissipation is a function of  $T_{J(MAX)}$ ,  $\theta_{JA}$ , and  $T_A$ . The maximum allowable power dissipation at any ambient temperature is  $P_D = (T_{J(MAX)} - T_A) / \theta_{JA}$ . All numbers apply for packages soldered directly onto a PC board.

**Note 5:** Typical Values represent the most likely parametric norm.

**Note 6:** All limits are guaranteed by testing or statistical analysis.

**Note 7:** Average drift is determined by dividing the change in parameter at temperature extremes into the total temperature change.

**Note 8:** Slew rate is the slowest of the rising and falling slew rates.

**Note 9:** Machine Model,  $0\Omega$  in series with  $200\text{pF}$ .

**Note 10:** Simulation results.

**Note 11:** Short circuit test is a momentary test. Output short circuit duration is  $1.5\text{ms}$ .

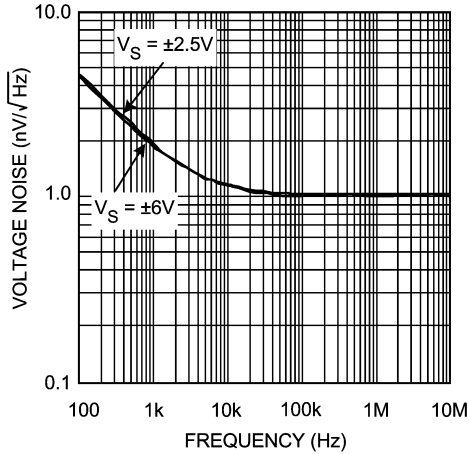
**Note 12:** Electrical table values apply only for factory testing conditions at the temperature indicated. Factory testing conditions result in very limited self-heating of the device such that  $T_J = T_A$ . No guarantee of parametric performance is indicated in the electrical tables under conditions of internal self-heating where  $T_J > T_A$ . Absolute maximum ratings indicate junction temperature limits beyond which the device may be permanently degraded, either mechanically or electrically.

**Ordering Information**

Package	Part Number	Package Marking	Transport Media	NSC Drawing
SOT23-5	LMH6624MF	A94A	1k Units Tape and Reel	MF05A
	LMH6624MFX		3k Units Tape and Reel	
SOIC-8	LMH6624MA	LMH6624MA	95 Units/Rail	M08A
	LMH6624MAX		2.5k Units Tape and Reel	
SOIC-8	LMH6626MA	LMH6626MA	95 Units/Rail	M08A
	LMH6626MAX		2.5k Units Tape and Reel	
MSOP-8	LMH6626MM	A98A	1k Units Tape and Reel	MUA08A
	LMH6626MMX		3.5k Units Tape and Reel	

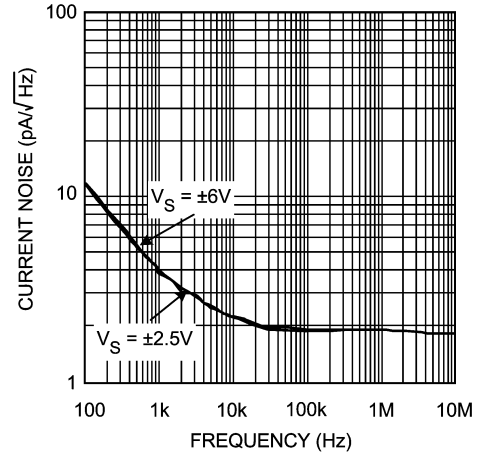
# Typical Performance Characteristics

Voltage Noise vs. Frequency



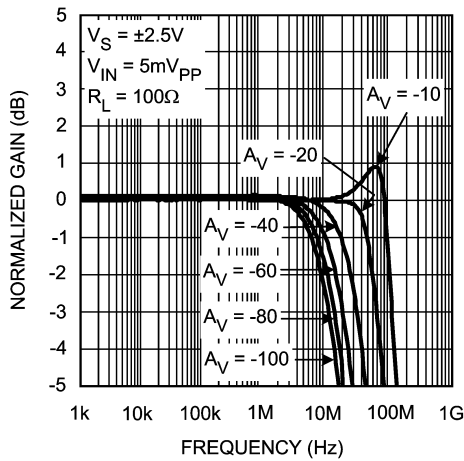
20058962

Current Noise vs. Frequency



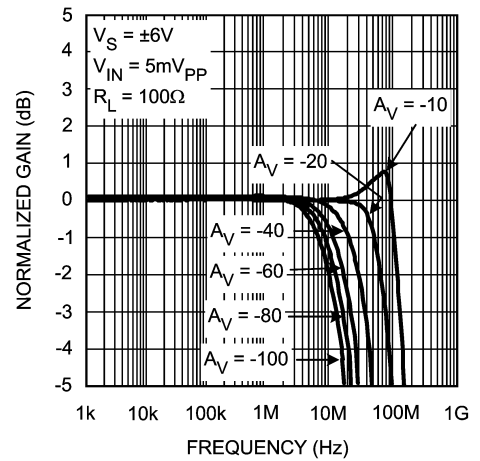
20058963

Inverting Frequency Response



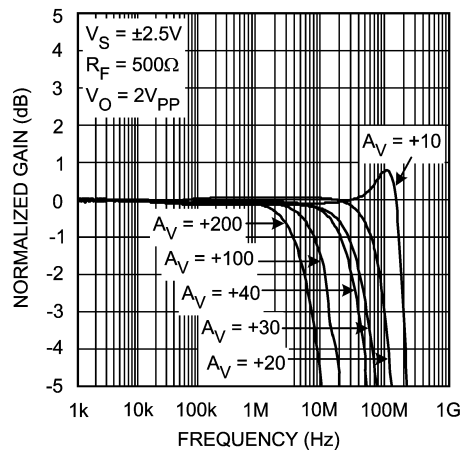
20058989

Inverting Frequency Response



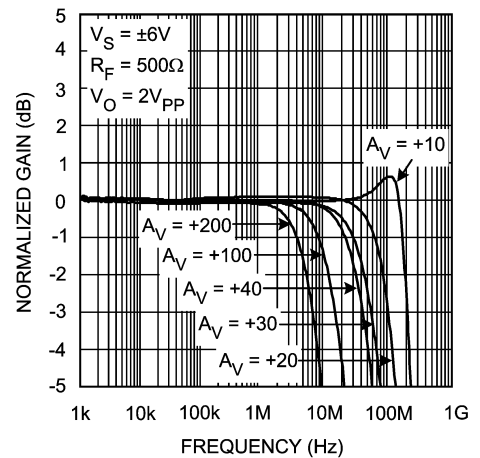
20058988

Non-Inverting Frequency Response



20058904

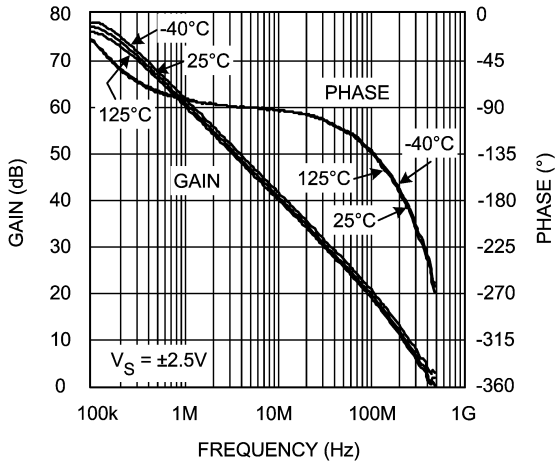
Non-Inverting Frequency Response



20058903

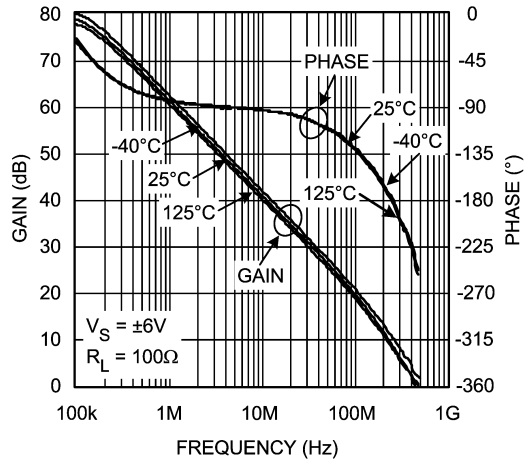
# Typical Performance Characteristics (Continued)

Open Loop Frequency Response Over Temperature



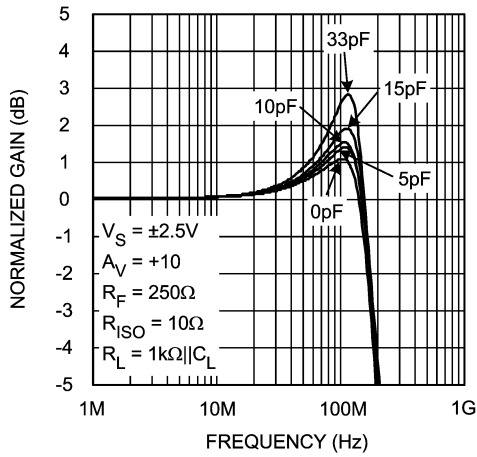
20058966

Open Loop Frequency Response Over Temperature



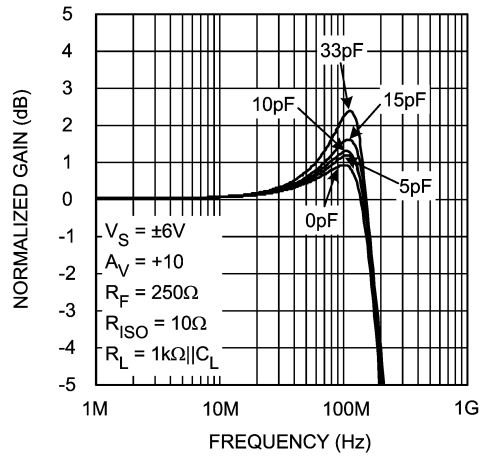
20058964

Frequency Response with Cap. Loading



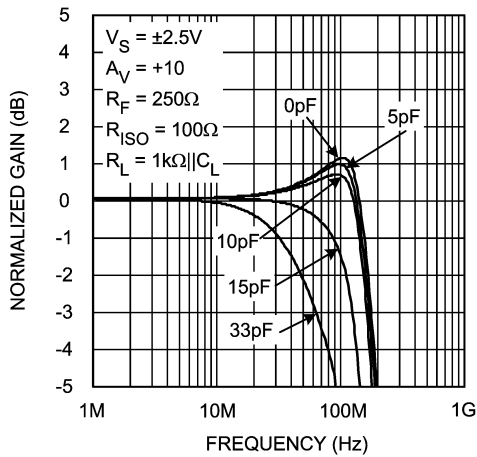
20058984

Frequency Response with Cap. Loading



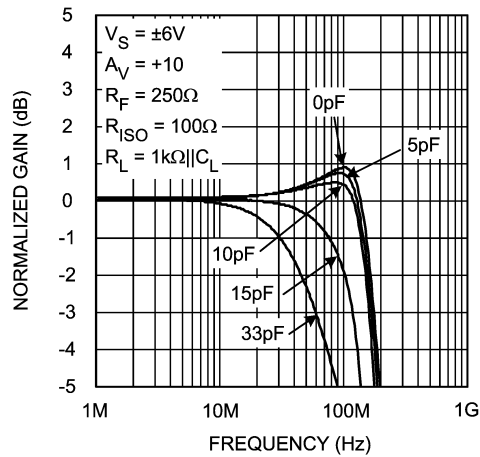
20058986

Frequency Response with Cap. Loading



20058987

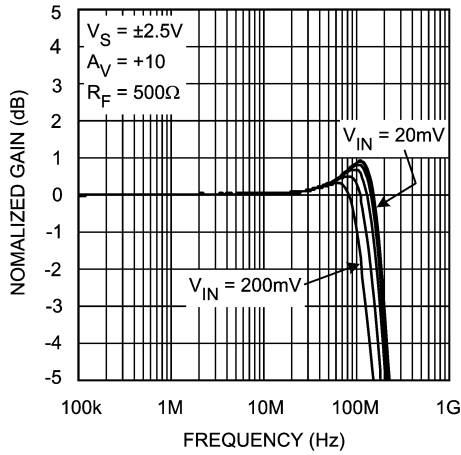
Frequency Response with Cap. Loading



20058985

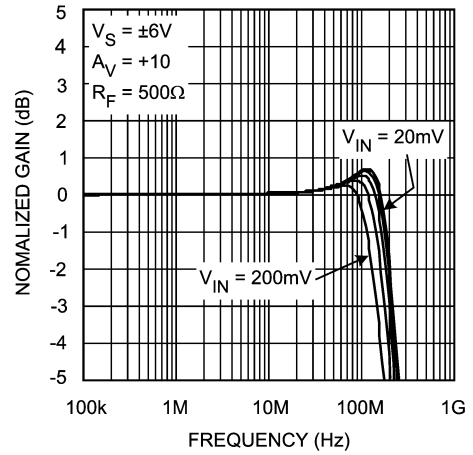
# Typical Performance Characteristics (Continued)

Non-Inverting Frequency Response Varying  $V_{IN}$



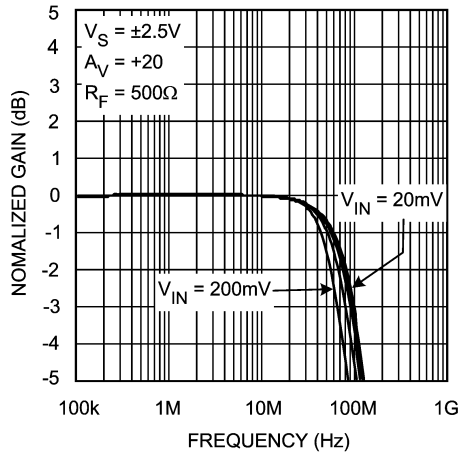
20058906

Non-Inverting Frequency Response Varying  $V_{IN}$



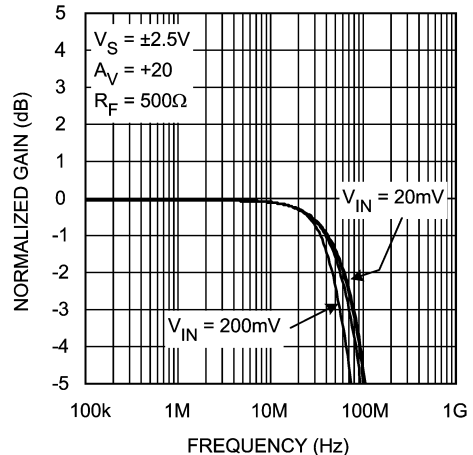
20058905

Non-Inverting Frequency Response Varying  $V_{IN}$  (LMH6624)



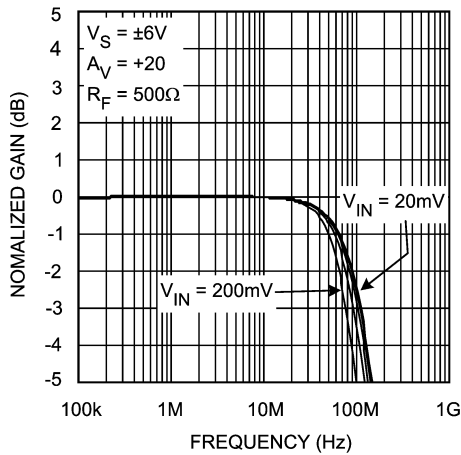
20058908

Non-Inverting Frequency Response Varying  $V_{IN}$  (LMH6626)



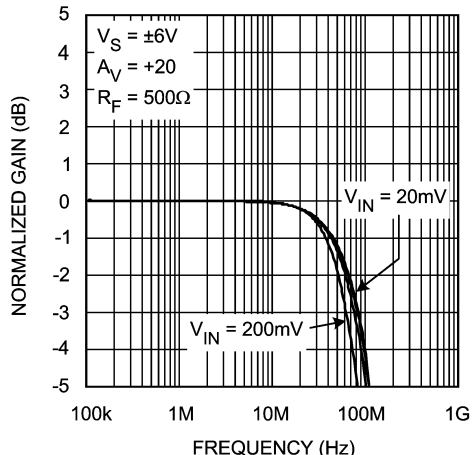
20058981

Non-Inverting Frequency Response Varying  $V_{IN}$  (LMH6624)



20058907

Non-Inverting Frequency Response Varying  $V_{IN}$  (LMH6626)

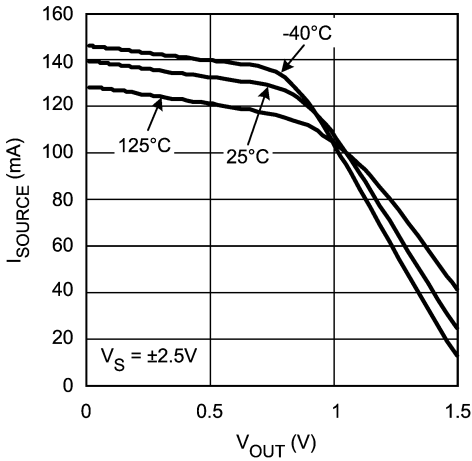


20058980



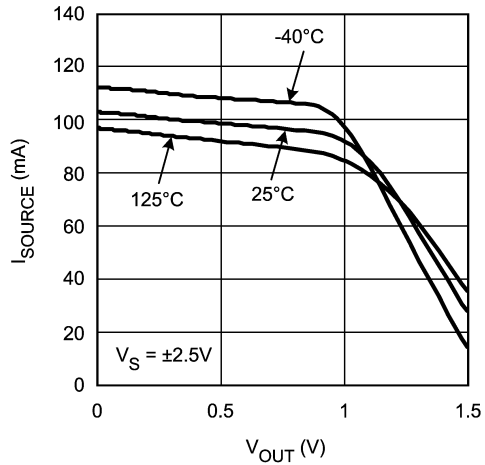
Typical Performance Characteristics (Continued)

Sourcing Current vs.  $V_{OUT}$  (LMH6624)



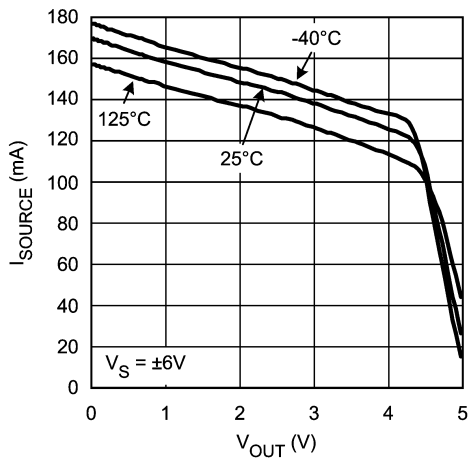
20058957

Sourcing Current vs.  $V_{OUT}$  (LMH6626)



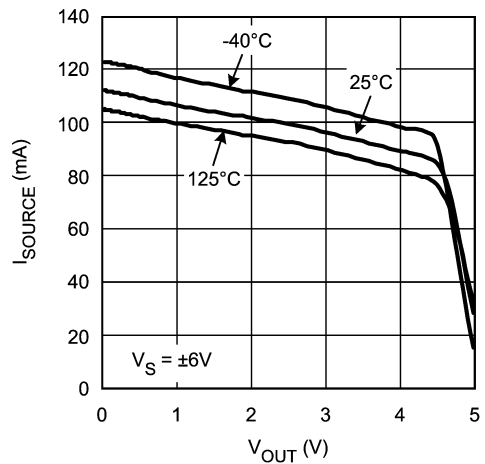
20058972

Sourcing Current vs.  $V_{OUT}$  (LMH6624)



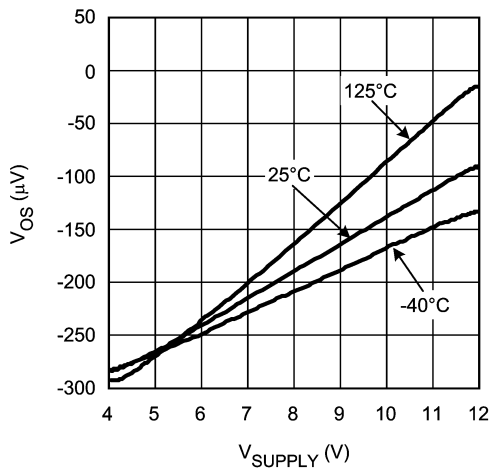
20058954

Sourcing Current vs.  $V_{OUT}$  (LMH6626)



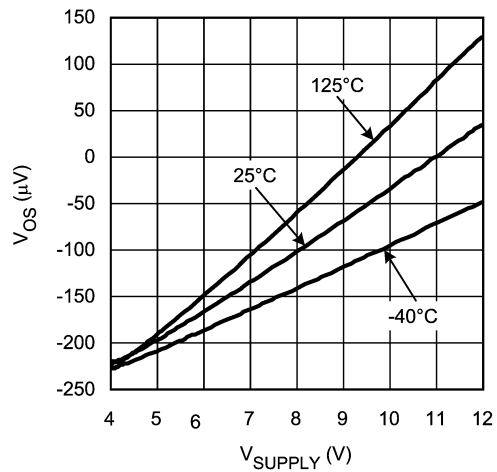
20058969

$V_{OS}$  vs.  $V_{SUPPLY}$  (LMH6624)



20058967

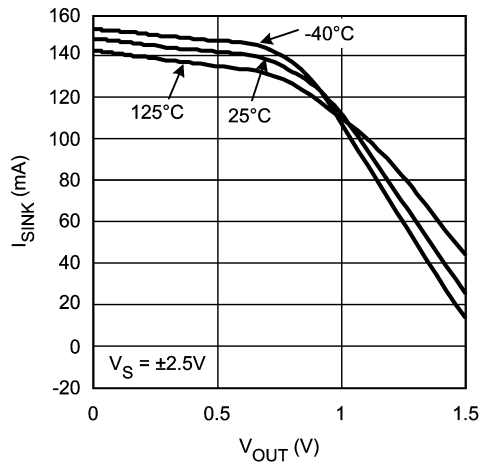
$V_{OS}$  vs.  $V_{SUPPLY}$  (LMH6626)



20058968

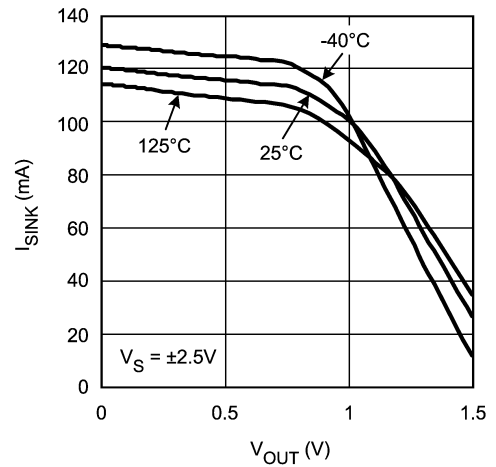
# Typical Performance Characteristics (Continued)

Sinking Current vs.  $V_{OUT}$  (LMH6624)



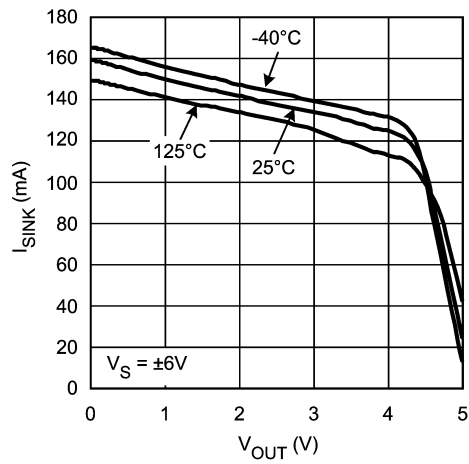
20058958

Sinking Current vs.  $V_{OUT}$  (LMH6626)



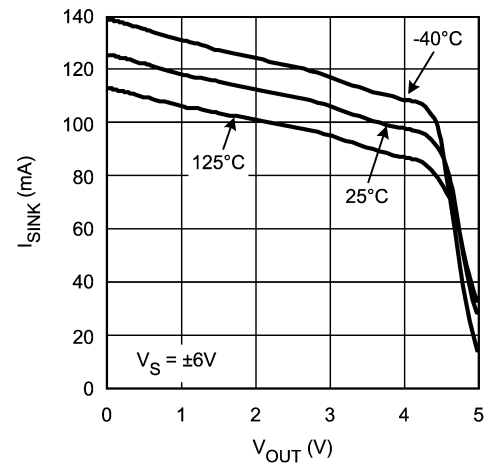
20058971

Sinking Current vs.  $V_{OUT}$  (LMH6624)



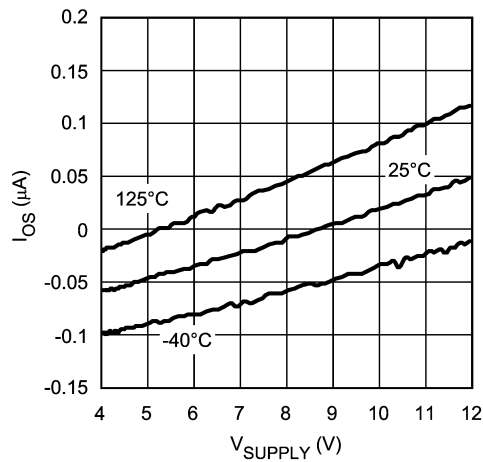
20058956

Sinking Current vs.  $V_{OUT}$  (LMH6626)



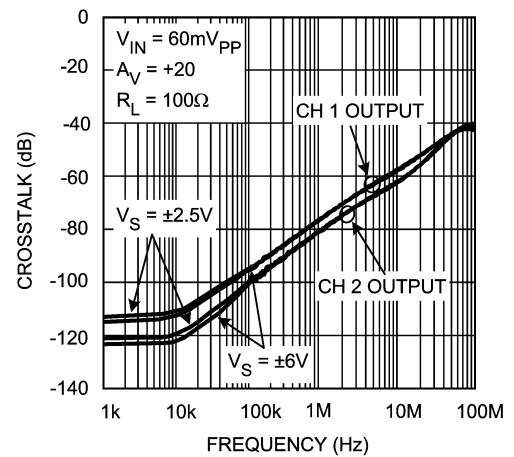
20058970

$I_{OS}$  vs.  $V_{SUPPLY}$



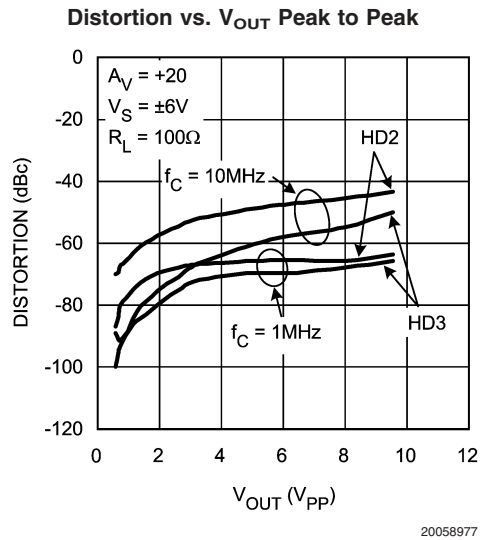
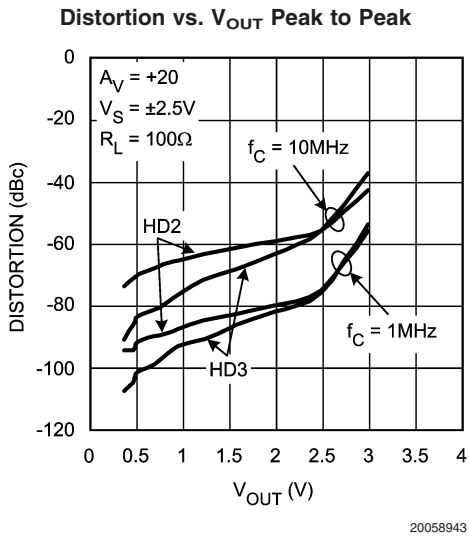
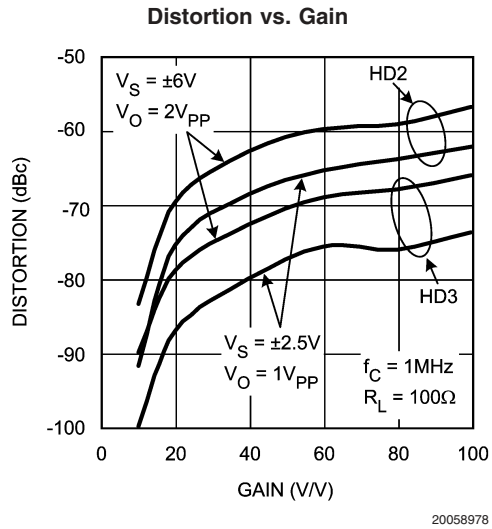
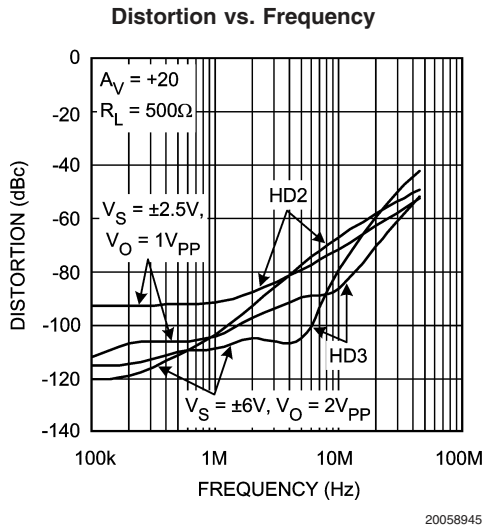
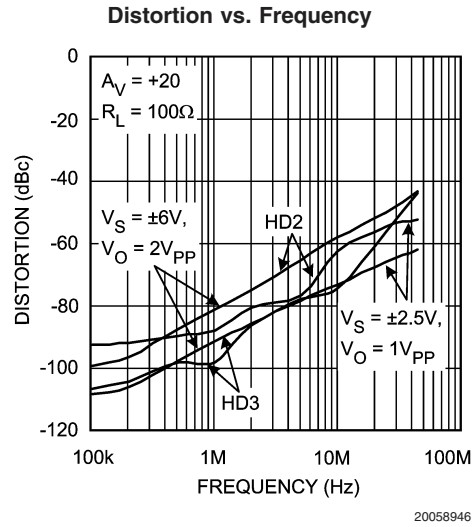
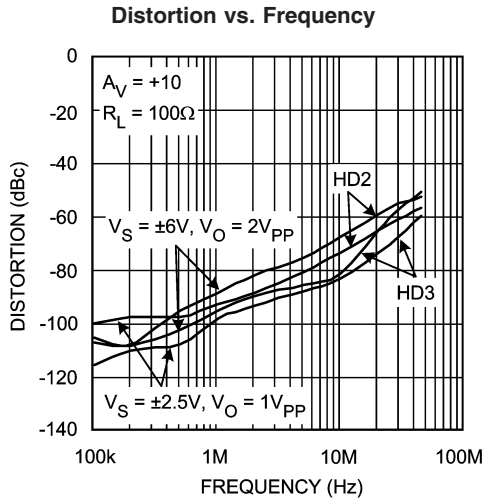
20058953

Crosstalk Rejection vs. Frequency (LMH6626)



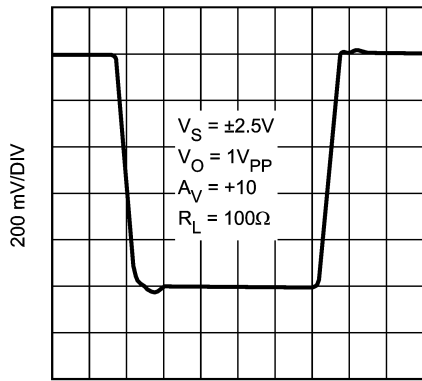
20058979

Typical Performance Characteristics (Continued)



# Typical Performance Characteristics (Continued)

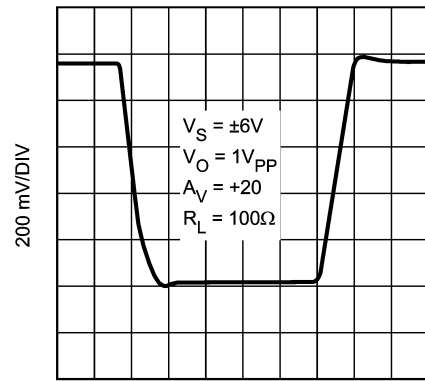
Non-Inverting Large Signal Pulse Response



10 ns/DIV

20058973

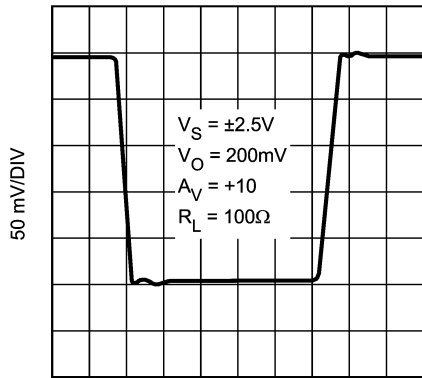
Non-Inverting Large Signal Pulse Response



10 ns/DIV

20058974

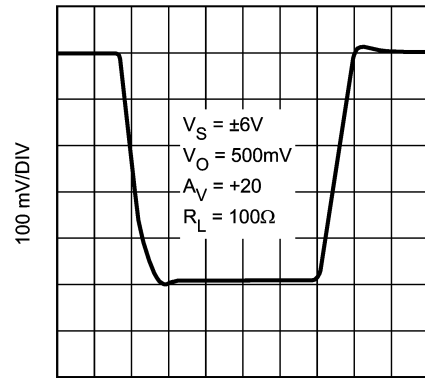
Non-Inverting Small Signal Pulse Response



10 ns/DIV

20058975

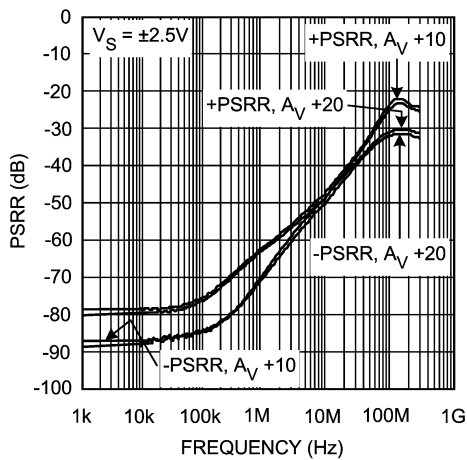
Non-Inverting Small Signal Pulse Response



10 ns/DIV

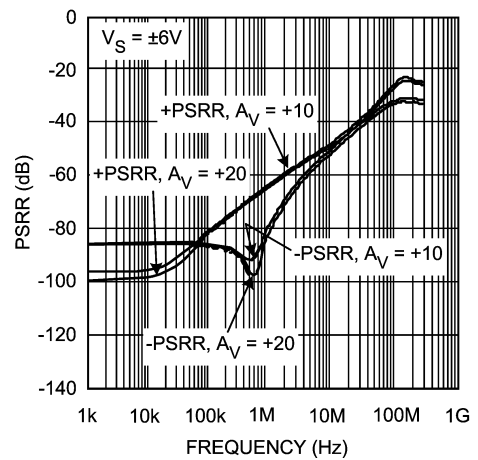
20058976

PSRR vs. Frequency



20058948

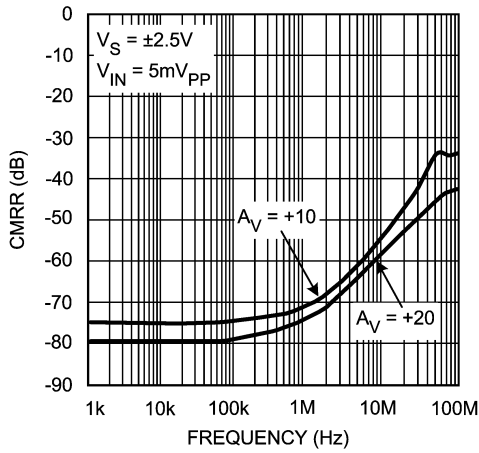
PSRR vs. Frequency



20058949

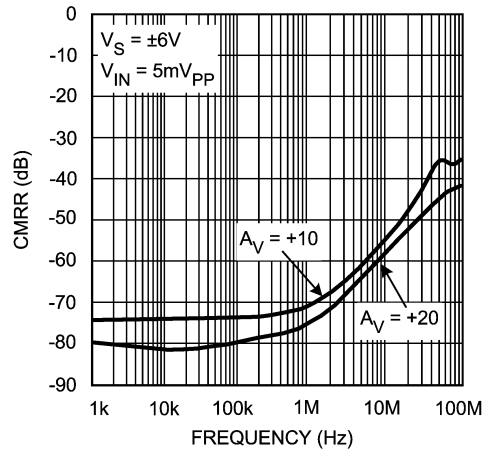
# Typical Performance Characteristics (Continued)

Input Referred CMRR vs. Frequency



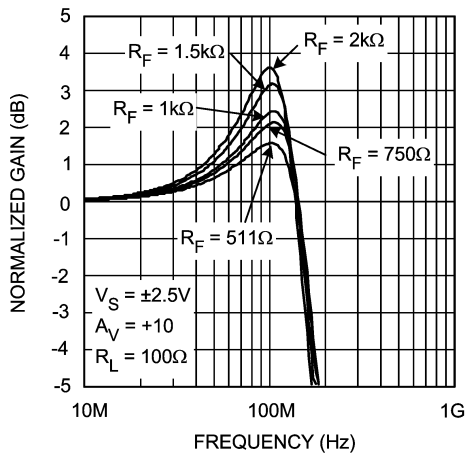
20058901

Input Referred CMRR vs. Frequency



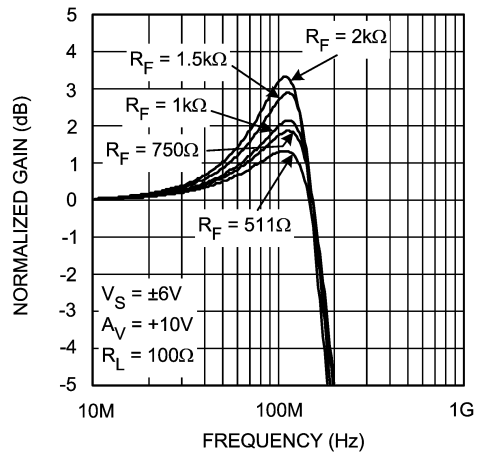
20058902

Amplifier Peaking with Varying  $R_F$



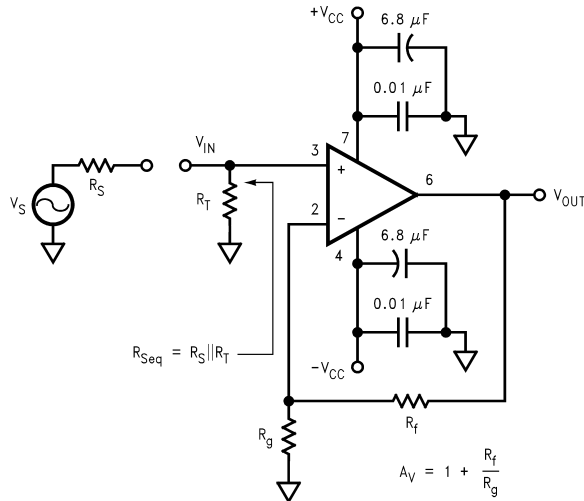
20058983

Amplifier Peaking with Varying  $R_F$



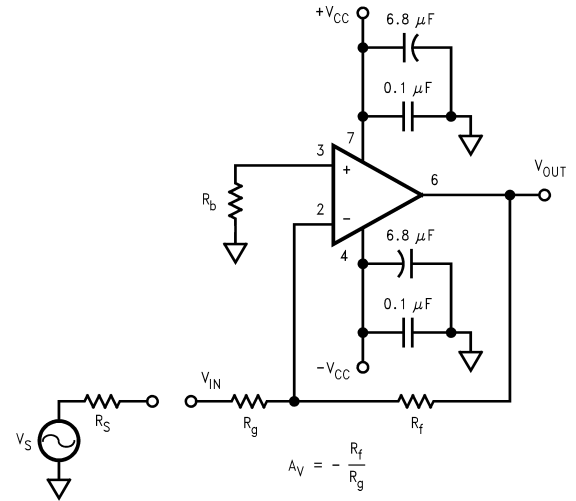
20058982

## Application Section



20058918

FIGURE 1. Non-Inverting Amplifier Configuration



20058919

FIGURE 2. Inverting Amplifier Configuration

### INTRODUCTION

The LMH6624/LMH6626 are very wide gain bandwidth, ultra low noise voltage feedback operational amplifiers. Their excellent performances enable applications such as medical diagnostic ultrasound, magnetic tape & disk storage and fiber-optics to achieve maximum high frequency signal-to-noise ratios. The set of characteristic plots in the "Typical Performance" section illustrates many of the performance trade offs. The following discussion will enable the proper selection of external components to achieve optimum system performance.

### BIAS CURRENT CANCELLATION

To cancel the bias current errors of the non-inverting configuration, the parallel combination of the gain setting ( $R_g$ ) and feedback ( $R_f$ ) resistors should equal the equivalent source resistance ( $R_{seq}$ ) as defined in Figure 1. Combining this constraint with the non-inverting gain equation also seen in Figure 1, allows both  $R_f$  and  $R_g$  to be determined explicitly from the following equations:

$$R_f = A_V R_{seq} \text{ and } R_g = R_f / (A_V - 1)$$

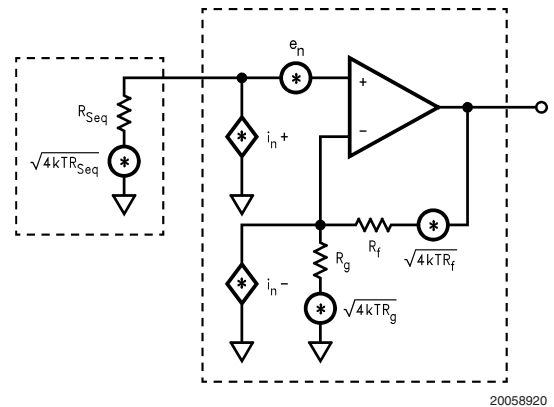
When driven from a  $0\Omega$  source, such as the output of an op amp, the non-inverting input of the LMH6624/LMH6626 should be isolated with at least a  $25\Omega$  series resistor.

As seen in Figure 2, bias current cancellation is accomplished for the inverting configuration by placing a resistor ( $R_b$ ) on the non-inverting input equal in value to the resistance seen by the inverting input ( $R_f || (R_g + R_s)$ ).  $R_b$  should be no less than  $25\Omega$  for optimum LMH6624/LMH6626 performance. A shunt capacitor can minimize the additional noise of  $R_b$ .

### TOTAL INPUT NOISE vs. SOURCE RESISTANCE

To determine maximum signal-to-noise ratios from the LMH6624/LMH6626, an understanding of the interaction between the amplifier's intrinsic noise sources and the noise arising from its external resistors is necessary.

Figure 3 describes the noise model for the non-inverting amplifier configuration showing all noise sources. In addition to the intrinsic input voltage noise ( $e_n$ ) and current noise ( $i_n = i_n^+ = i_n^-$ ) source, there is also thermal voltage noise ( $e_t = \sqrt{4KTR}$ ) associated with each of the external resistors. Equation 1 provides the general form for total equivalent input voltage noise density ( $e_{ni}$ ). Equation 2 is a simplification of Equation 1 that assumes



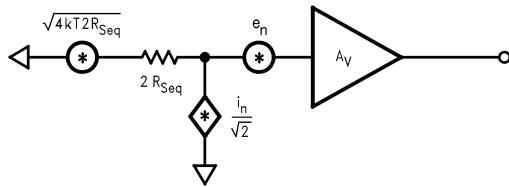
20058920

FIGURE 3. Non-Inverting Amplifier Noise Model

## Application Section (Continued)

$$e_{ni} = \sqrt{e_n^2 + (i_n + R_{Seq})^2 + 4kTR_{Seq} + (i_n - (R_f || R_g))^2 + 4kT(R_f || R_g)} \quad (1)$$

$R_f || R_g = R_{Seq}$  for bias current cancellation. *Figure 4* illustrates the equivalent noise model using this assumption. *Figure 5* is a plot of  $e_{ni}$  against equivalent source resistance ( $R_{Seq}$ ) with all of the contributing voltage noise source of Equation 2. This plot gives the expected  $e_{ni}$  for a given ( $R_{Seq}$ ) which assumes  $R_f || R_g = R_{Seq}$  for bias current cancellation. The total equivalent output voltage noise ( $e_{no}$ ) is  $e_{ni} * A_V$ .

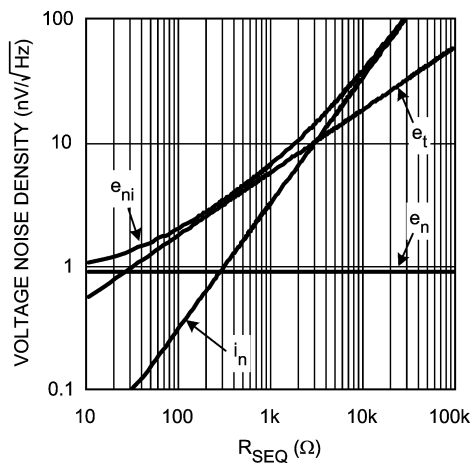


20058921

**FIGURE 4. Noise Model with  $R_f || R_g = R_{Seq}$**

$$e_{ni} = \sqrt{e_n^2 + 2(i_n R_{Seq})^2 + 4kT(2R_{Seq})} \quad (2)$$

As seen in *Figure 5*,  $e_{ni}$  is dominated by the intrinsic voltage noise ( $e_n$ ) of the amplifier for equivalent source resistances below 33.5Ω. Between 33.5Ω and 6.43kΩ,  $e_{ni}$  is dominated by the thermal noise ( $e_t = \sqrt{4kT(2R_{Seq})}$ ) of the external resistor. Above 6.43kΩ,  $e_{ni}$  is dominated by the amplifier's current noise ( $i_n = \sqrt{2} i_{nR_{Seq}}$ ). When  $R_{Seq} = 464\Omega$  (ie.,  $e_n/\sqrt{2} (i_n)$ ) the contribution from voltage noise and current noise of LMH6624/LMH6626 is equal. For example, configured with a gain of +20V/V giving a -3dB of 90MHz and driven from  $R_{Seq} = 25\Omega$ , the LMH6624 produces a total equivalent input noise voltage ( $e_{ni} \times \sqrt{Hz} \ 1.57 * 90MHz$ ) of 16.5μV<sub>rms</sub>.



20058922

**FIGURE 5. Voltage Noise Density vs. Source Resistance**

If bias current cancellation is not a requirement, then  $R_f || R_g$  need not equal  $R_{Seq}$ . In this case, according to Equation 1,

$R_f || R_g$  should be as low as possible to minimize noise. Results similar to Equation 1 are obtained for the inverting configuration of *Figure 2* if  $R_{Seq}$  is replaced by  $R_b$  and  $R_g$  is replaced by  $R_g + R_s$ . With these substitutions, Equation 1 will yield an  $e_{ni}$  referred to the non-inverting input. Referring  $e_{ni}$  to the inverting input is easily accomplished by multiplying  $e_{ni}$  by the ratio of non-inverting to inverting gains.

### NOISE FIGURE

Noise Figure (NF) is a measure of the noise degradation caused by an amplifier.

$$NF = 10 \text{LOG} \left\{ \frac{S_i / N_i}{S_o / N_o} \right\} = 10 \text{LOG} \left\{ \frac{e_{ni}^2}{e_t^2} \right\} \quad (3)$$

The Noise Figure formula is shown in Equation 3. The addition of a terminating resistor  $R_T$ , reduces the external thermal noise but increases the resulting NF. The NF is increased because  $R_T$  reduces the input signal amplitude thus reducing the input SNR.

$$NF = 10 \text{LOG} \left[ \frac{e_n^2 + i_n^2 (R_{Seq}^2 + (R_f || R_g)^2) + 4kT (R_{Seq} + (R_f || R_g))}{4kT (R_{Seq} + (R_f || R_g))} \right] \quad (4)$$

The noise figure is related to the equivalent source resistance ( $R_{Seq}$ ) and the parallel combination of  $R_f$  and  $R_g$ . To minimize noise figure.

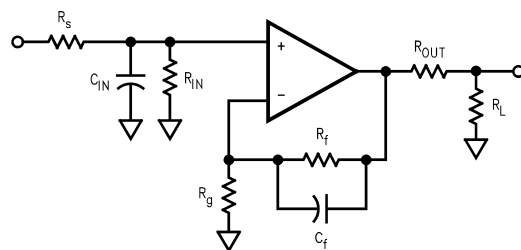
- Minimize  $R_f || R_g$
- Choose the Optimum  $R_S$  ( $R_{OPT}$ )

$R_{OPT}$  is the point at which the NF curve reaches a minimum and is approximated by:

$$R_{OPT} \approx e_n / i_n$$

### NON-INVERTING GAINS LESS THAN 10V/V

Using the LMH6624/LMH6626 at lower non-inverting gains requires external compensation such as the shunt compensation as shown in *Figure 6*. The compensation capacitors are chosen to reduce frequency response peaking to less than 1dB.



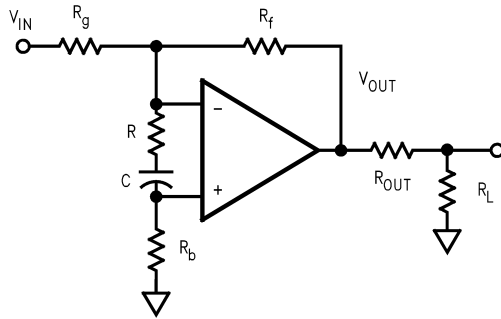
20058924

**FIGURE 6. External Shunt Compensation**

### INVERTING GAINS LESS THAN 10V/V

The lag compensation of *Figure 7* will achieve stability for lower gains. It is best used for the inverting configuration because of its affect on the non-inverting input impedance.

**Application Section** (Continued)

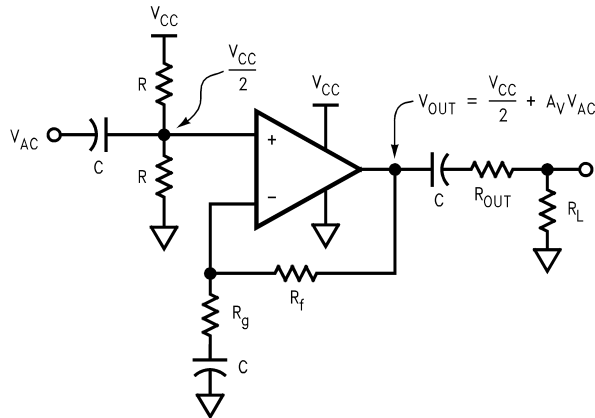


20058925

**FIGURE 7. External Lag Compensation**

**SINGLE SUPPLY OPERATION**

The LMH6624/LMH6626 can be operated with single power supply as shown in *Figure 8*. Both the input and output are capacitively coupled to set the DC operating point.

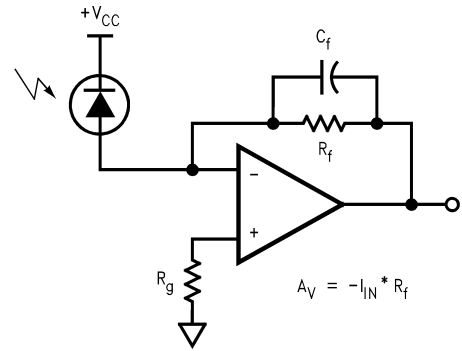


20058926

**FIGURE 8. Single Supply Operation**

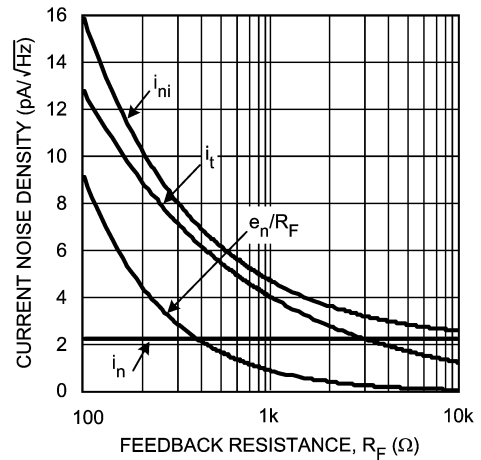
**LOW NOISE TRANSMIMPEDANCE AMPLIFIER**

*Figure 9* implements a low-noise transimpedance amplifier commonly used with photo-diodes. The transimpedance gain is set by  $R_f$ . Equation 4 provides the total input current noise density ( $i_{ni}$ ) equation for the basic transimpedance configuration and is plotted against feedback resistance ( $R_f$ ) showing all contributing noise sources in *Figure 10*. This plot indicates the expected total equivalent input current noise density ( $i_{ni}$ ) for a given feedback resistance ( $R_f$ ). The total equivalent output voltage noise density ( $e_{no}$ ) is  $i_{ni} * R_f$ .



20058927

**FIGURE 9. Transimpedance Amplifier Configuration**



20058928

**FIGURE 10. Current Noise Density vs. Feedback Resistance**

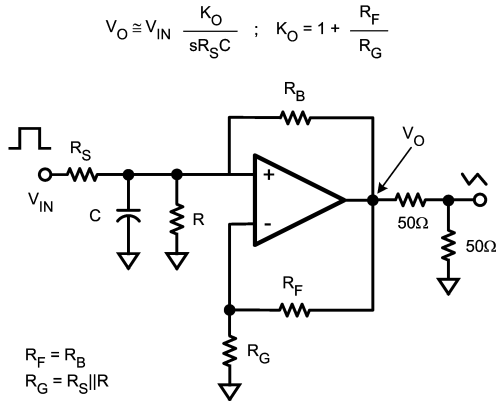
$$i_{ni} = \sqrt{i_n^2 + \left(\frac{e_n}{R_f}\right)^2 + \frac{4kT}{R_f}} \tag{5}$$

**LOW NOISE INTEGRATOR**

The LMH6624/LMH6626 implement a deBoo integrator shown in *Figure 11*. Positive feedback maintains integration linearity. The LMH6624/LMH6626's low input offset voltage and matched inputs allow bias current cancellation and provide for very precise integration. Keeping  $R_G$  and  $R_S$  low helps maintain dynamic stability.



**Application Section** (Continued)

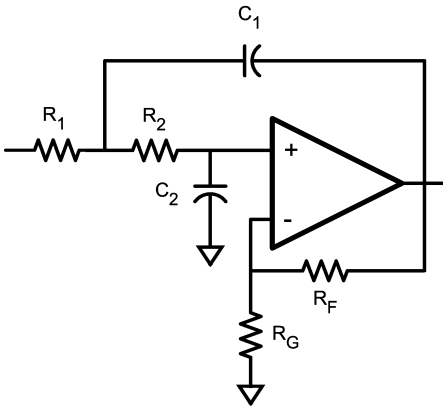


20058929

**FIGURE 11. Low Noise Integrator**

**HIGH-GAIN SALLLEN-KEY ACTIVE FILTERS**

The LMH6624/LMH6626 are well suited for high gain Sallen-Key type of active filters. Figure 12 shows the 2<sup>nd</sup> order Sallen-Key low pass filter topology. Using component predistortion methods discussed in OA-21 enables the proper selection of components for these high-frequency filters.

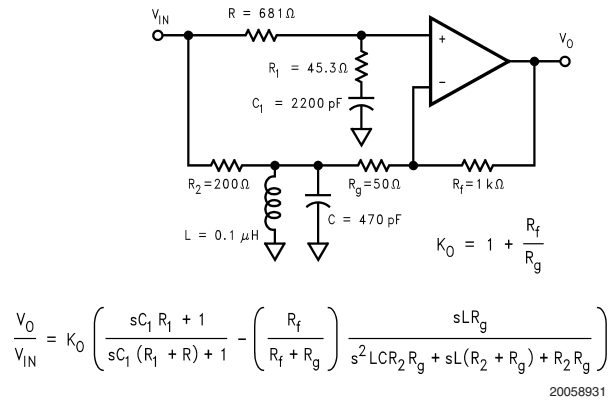


20058930

**FIGURE 12. Sallen-Key Active Filter Topology**

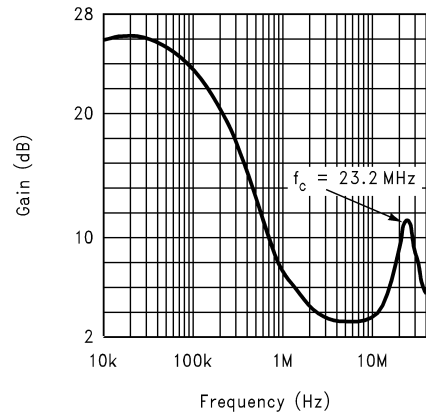
**LOW NOISE MAGNETIC MEDIA EQUALIZER**

The LMH6624/LMH6626 implement a high-performance low noise equalizer for such application as magnetic tape channels as shown in Figure 13. The circuit combines an integrator with a bandpass filter to produce the low noise equalization. The circuit's simulated frequency response is illustrated in Figure 14.



20058931

**FIGURE 13. Noise Magnetic Media Equalizer**



20058932

**FIGURE 14. Equalizer Frequency Response**

**LAYOUT CONSIDERATION**

National Semiconductor suggests the copper patterns on the evaluation boards listed below as a guide for high frequency layout. These boards are also useful as an aid in device testing and characterization. As is the case with all high-speed amplifiers, accepted-practice RF design technique on the PCB layout is mandatory. Generally, a good high frequency layout exhibits a separation of power supply and ground traces from the inverting input and output pins. Parasitic capacitances between these nodes and ground may cause frequency response peaking and possible circuit oscillations (see Application Note OA-15 for more information). Use high quality chip capacitors with values in the range of 100pF to 0.1F for power supply bypassing. One terminal of each chip capacitor is connected to the ground plane and the other terminal is connected to a point that is as close as possible to each supply pin as allowed by the manufacturer's design rules. In addition, connect a tantalum capacitor with a value between 4.7µF and 10µF in parallel with the chip capacitor. Signal lines connecting the feedback and gain resistors should be as short as possible to minimize inductance and microstrip line effect. Place input and output termination resistors as close as possible to the input/output pins. Traces greater than 1 inch in length should be impedance matched to the corresponding load termination.

## Application Section (Continued)

Symmetry between the positive and negative paths in the layout of differential circuitry should be maintained to minimize the imbalance of amplitude and phase of the differential signal.

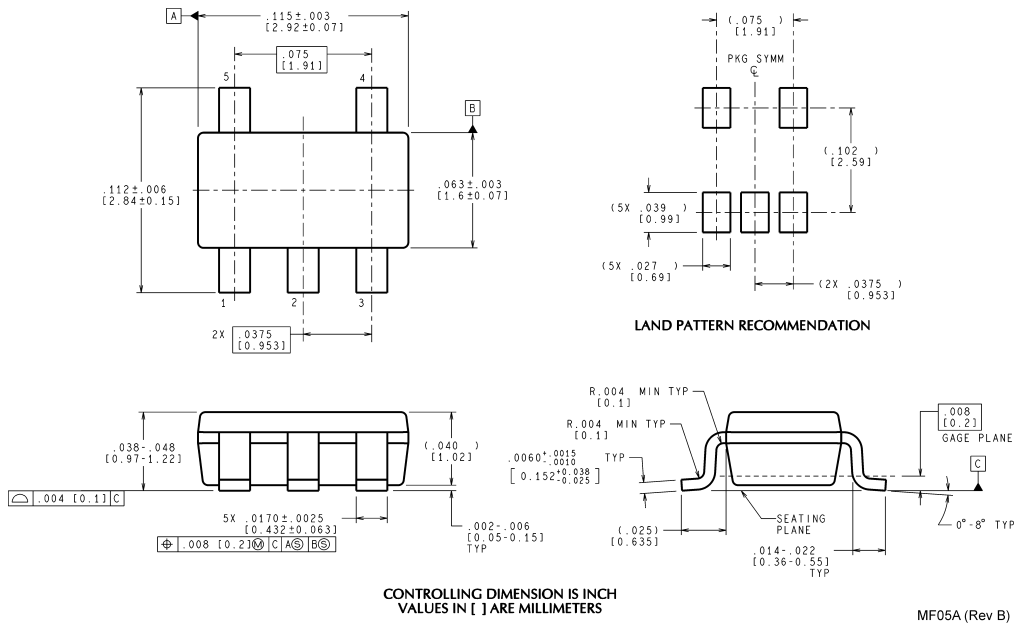
These free evaluation boards are shipped when a device sample request is placed with National Semiconductor.

Component value selection is another important parameter in working with high speed/high performance amplifiers. Choosing external resistors that are large in value compared to the value of other critical components will affect the closed loop behavior of the stage because of the interaction of these resistors with parasitic capacitances. These parasitic capacitors could either be inherent to the device or be a

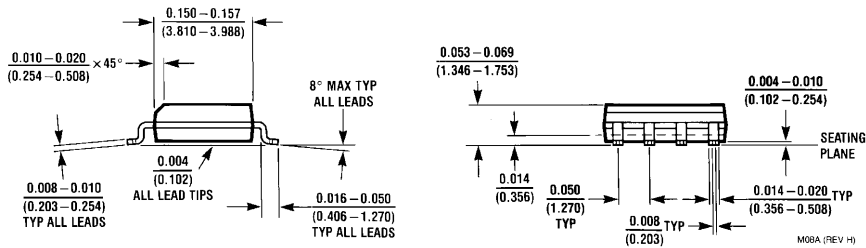
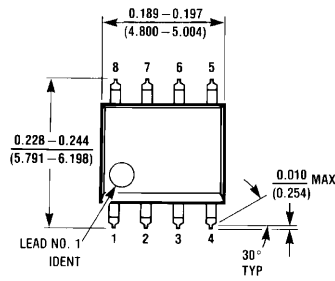
by-product of the board layout and component placement. Moreover, a large resistor will also add more thermal noise to the signal path. Either way, keeping the resistor values low will diminish this interaction. On the other hand, choosing very low value resistors could load down nodes and will contribute to higher overall power dissipation and high distortion.

Device	Package	Evaluation Board Part Number
LMH6624MF	SOT23-5	CLC730216
LMH6624MA	SOIC-8	CLC730227
LMH6626MA	SOIC-8	CLC730036
LMH6626MM	MSOP-8	CLC730123

**Physical Dimensions** inches (millimeters) unless otherwise noted

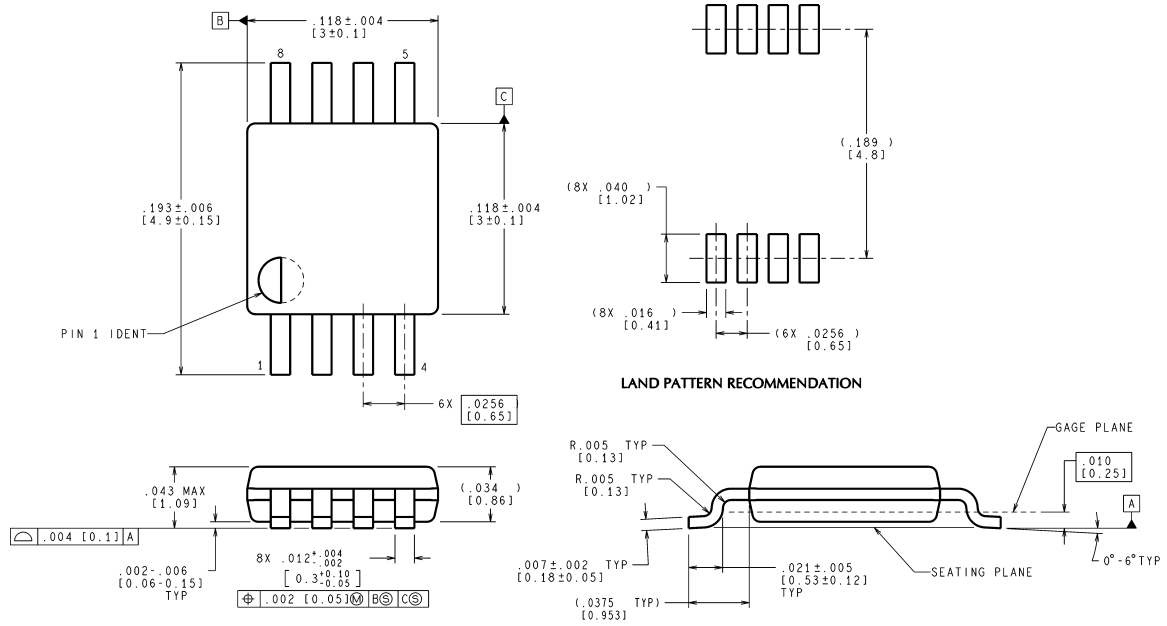


**5-Pin SOT23**  
NS Package Number MF05A



**8-Pin SOIC**  
NS Package Number M08A

**Physical Dimensions** inches (millimeters) unless otherwise noted (Continued)



CONTROLLING DIMENSION IS INCH  
VALUES IN [ ] ARE MILLIMETERS

MUA08A (Rev E)

**8-Pin MSOP  
NS Package Number MUA08A**

**LIFE SUPPORT POLICY**

NATIONAL'S PRODUCTS ARE NOT AUTHORIZED FOR USE AS CRITICAL COMPONENTS IN LIFE SUPPORT DEVICES OR SYSTEMS WITHOUT THE EXPRESS WRITTEN APPROVAL OF THE PRESIDENT AND GENERAL COUNSEL OF NATIONAL SEMICONDUCTOR CORPORATION. As used herein:

1. Life support devices or systems are devices or systems which, (a) are intended for surgical implant into the body, or (b) support or sustain life, and whose failure to perform when properly used in accordance with instructions for use provided in the labeling, can be reasonably expected to result in a significant injury to the user.
2. A critical component is any component of a life support device or system whose failure to perform can be reasonably expected to cause the failure of the life support device or system, or to affect its safety or effectiveness.



**National Semiconductor**  
Americas Customer  
Support Center  
Email: new.feedback@nsc.com  
Tel: 1-800-272-9959

**National Semiconductor**  
Europe Customer Support Center  
Fax: +49 (0) 180-530 85 86  
Email: europe.support@nsc.com  
Deutsch Tel: +49 (0) 69 9508 6208  
English Tel: +44 (0) 870 24 0 2171  
Français Tel: +33 (0) 1 41 91 8790

**National Semiconductor**  
Asia Pacific Customer  
Support Center  
Email: ap.support@nsc.com

**National Semiconductor**  
Japan Customer Support Center  
Fax: 81-3-5639-7507  
Email: jpn.feedback@nsc.com  
Tel: 81-3-5639-7560

www.national.com